



FS wedge wire filter

Description

Capacity: 5000 liters/hour

Replaces: n/a

Power supply: 0.1 kW 230 V 1/N/PE 50/60 Hz
0.1 kW 110 V 1/N/PE 50/60 Hz

Dimensions: 750x746x1835 mm

Minimal workspace: 1200x1500 mm

Compressed air: 6-8 bar

Weight: 120 kg

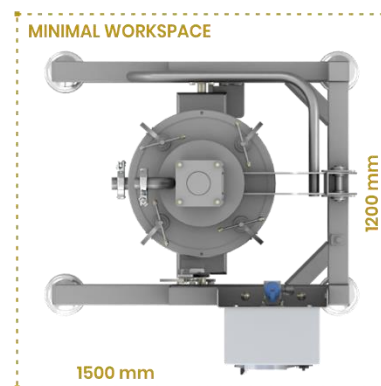
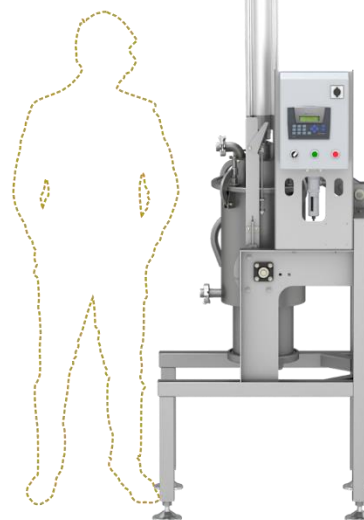
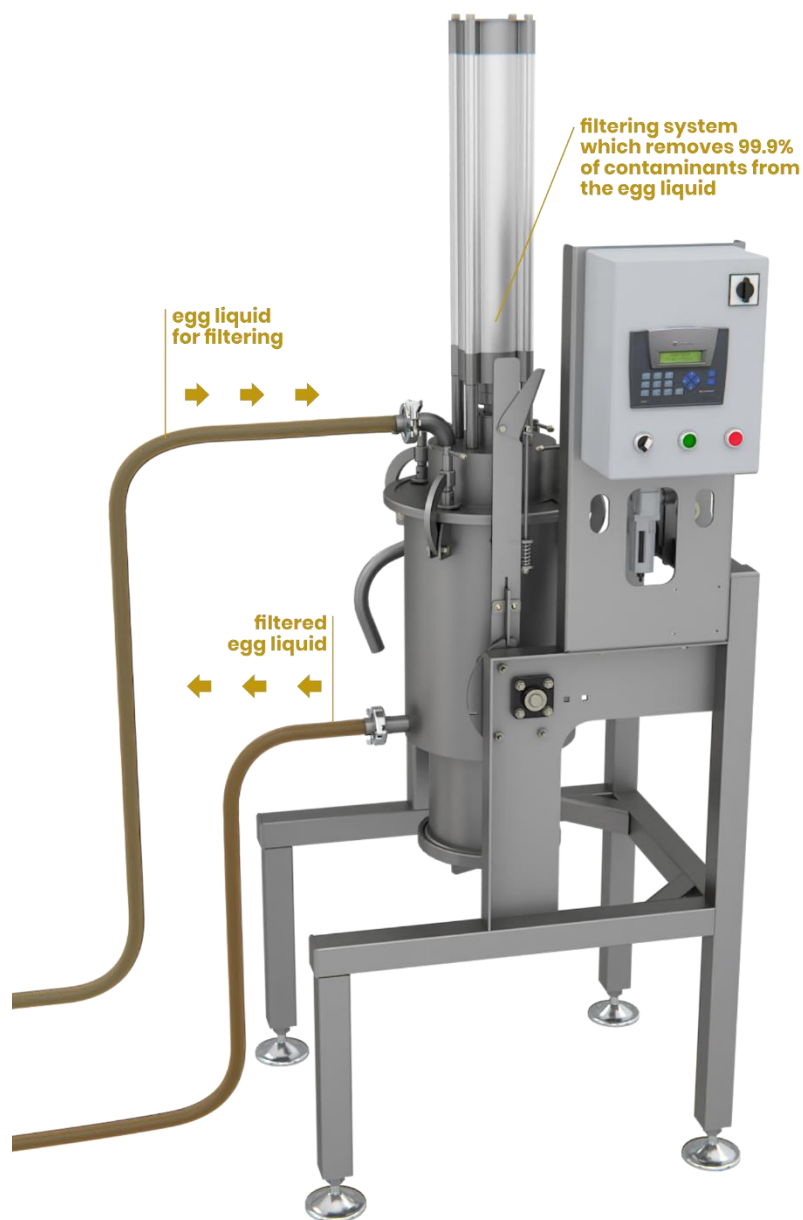
Water: n/a

Operated by: 1 person

Drain: n/a

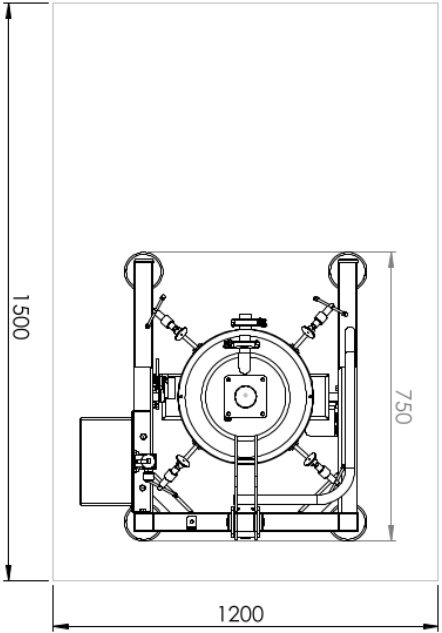
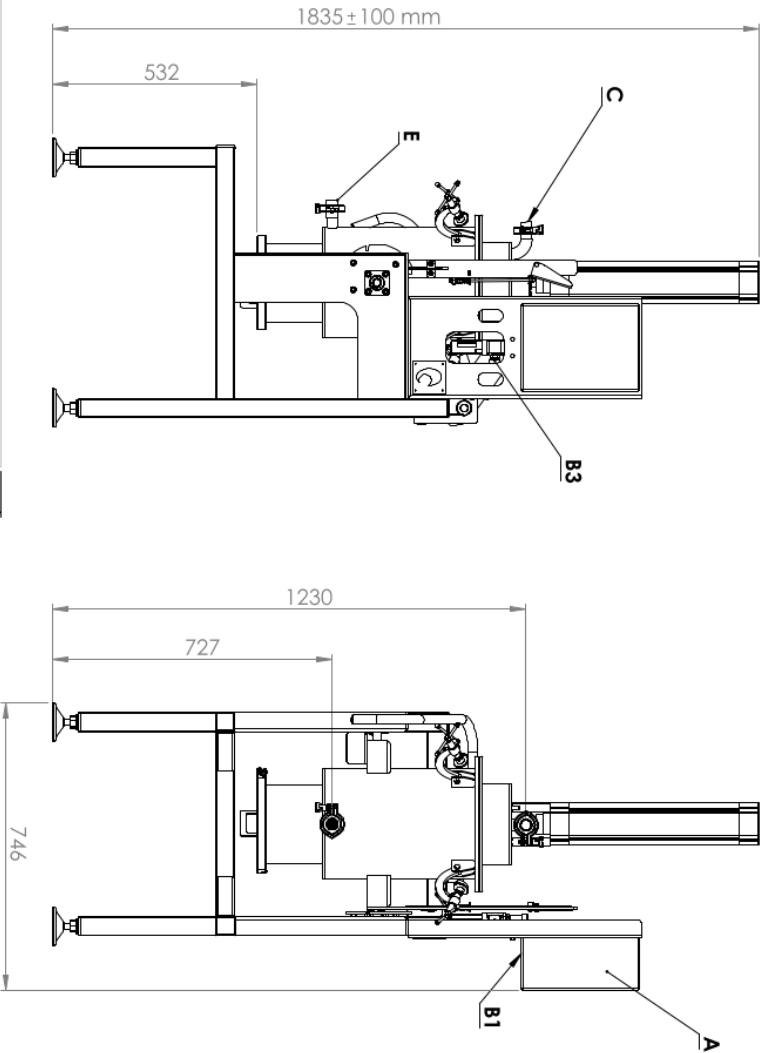
Compatibility: UDTJ-150/500,
RZ-1/3/6/8, PM/PM
BOX, PS-1/2, PS-UDTJ

Thanks to the use of an innovative wedge wire filter, the FS filter allows for obtaining of a perfectly clean egg liquid. The egg liquid is first transported into the filter using a pump. Next, a piston squeezes the liquid egg through slots with a diameter of 0.2 mm. This process allows to remove 99.9% of all contaminants, which results in obtaining the highest possible level of filtration. The machine is made out of stainless steel EN 1.4301 (AISI 304).



DAT 04.01.2021
 PROJECT 2.PROJ.FLAYOUTS

AMMOA ML



FS wedge wire filter

Typical workplaces:	egg breaking facilities, bakeries, confectioneries, pasta making companies
Capacity:	5000 liters/hour
Power supply:	Ø 1.4kW/230V 1-Phase 50/60Hz Ø 1.4kW/110V 1-Phase 50/60 Hz
Water connection:	N/A
Compressed air connection:	6-8 bar minimal flow 250 liter/hour
Minimul workspace:	1200 x 1500 mm
Dimensions:	750 x 746 x 1835
Operated by:	1 person
Minimul need clearance:	the rear side – 600 mm
Additional information:	N/A
A	control panel
B1/B2/B3	connections: electrical/water/air
C	eggs input
D	out of eggshells
E	Ø 1.4kW/230V 1-Phase 50/60 Hz

OVO TECH
 IEG PROCESSING MACHINES
 All rights reserved
 Information presented in this drawing is for informational purposes only. Any use of this material, including reproduction of parts or in whole, without the manufacturer's written permission is strictly prohibited.