



## M-250 egg pasteurizer

## Description

**Capacity:** 250 liters/cycle (3 hours)

**Replaces:** n/a

**Power supply:** 37 kW 400 V 3/N/PE 50/60 Hz  
37 kW 230 V 3/N/PE 50/60 Hz

**Dimensions:** 5000x2000x1700 mm

**Minimal workspace:** approx. 20 m<sup>2</sup>

**Compressed air:** n/a

**Weight:** 600 kg

**Water:** water from client's installation

**Operated by:** 1 person

**Drain:** n/a

**Compatibility:** RZ-1/3/6/8,  
UDTJ-150/500,  
PS-UDTJ, PS-1/2

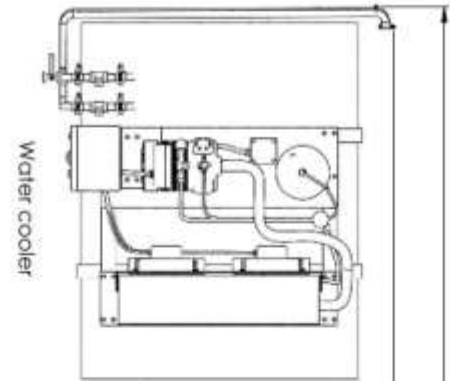
The pasteurizer set consists of two machines: the M-250 pasteurizer and the BagInBox bag filler. The pasteurizer's tank is filled with liquid egg which is then automatically heated to the temperature of 64-68°C and rapidly chilled to 2°C. The desired pasteurization time can be adjusted with the control panel. The chilled egg liquid is then automatically pumped into the bag filler where it is measured and then pumped into BagInBox plastic bags. The machine is equipped with a semi-automatic Clean-In-Place (CIP) system which, after changing hoses configuration, automatically cleans and disinfects the machine. All parts of the machine which come in contact with eggs are made out of stainless steel AISI 316. The remaining parts are made out of stainless steel AISI 304.



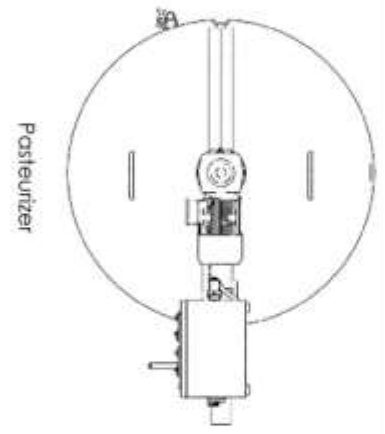
DATE  
04.02.2021  
PROJECT  
Pasterizator/cooling

NUMBER  
ML

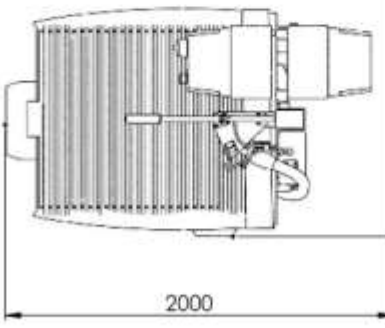
5000



Water cooler



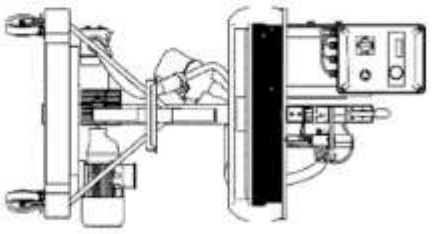
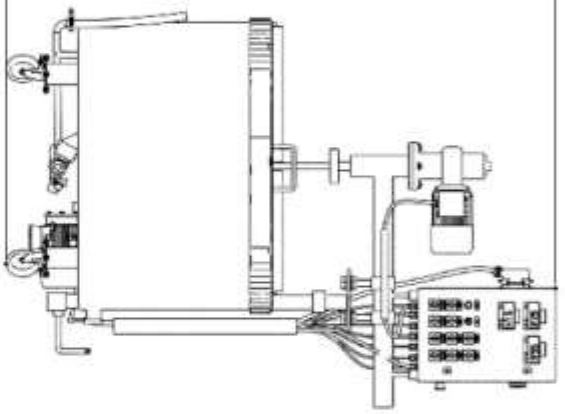
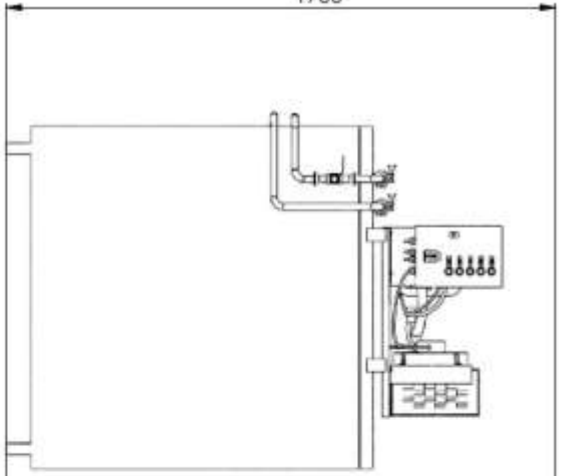
Pasteurizer



Filling machine

2000

1700



**M-250 egg pasteurizer**

Typical applications:	egg pasteurization, bacteria control, pasteurized milk, cooling compressor
Capacity:	250 liters per cycle (1 hour)
Power supply:	17 kW, 230 V / 2.5 kW, 230 V / 27 kW, 230 V / 2.5 kW, 5000 Hz
Water connection:	water from client's installation
Compressed air connection:	N/A
Approx. volume:	2.20 m <sup>3</sup>
Dimensions:	1000 x 2000 x 1700
Operated by:	1 person
Adjusted and dimension:	the rear side - 450 mm
Additional information:	N/A
Accessories:	control panel egg tray eggplate, roller roller egg roller egg roller roller egg roller roller

**OVO TECH**

OVO APPLIED SYSTEMS ENGINEERING  
 100% CUSTOMER-FOCUS  
 100% INNOVATION  
 100% QUALITY  
 100% SERVICE  
 100% SUPPORT  
 100% RELIABILITY  
 100% SAFETY  
 100% EFFICIENCY  
 100% SUSTAINABILITY  
 100% INDEPENDENCE  
 100% FLEXIBILITY  
 100% ADAPTABILITY  
 100% SCALABILITY  
 100% INTEGRATION  
 100% SYNERGY  
 100% COLLABORATION  
 100% PARTNERSHIP  
 100% COMMUNITY  
 100% IMPACT  
 100% LEGACY