



PS-1 pump system

Description

Capacity: 3000 liters/hour

Replaces: n/a

Power supply: 1 kW 400 V 3/N/PE 50/60 Hz
1 kW 230 V 3/N/PE 50/60 Hz

Dimensions: 905x519x795 mm

Minimal workspace: 1000x1500 mm

The PS-1 pumping system buffers egg liquid in its tanks. Once the liquid reaches acceptable level, the machine initiates pumping of the egg liquid into the FS wedge wire filter or a storage container. The machine is made out of stainless steel EN 1.4301 (AISI 304).

Compressed air: n/a

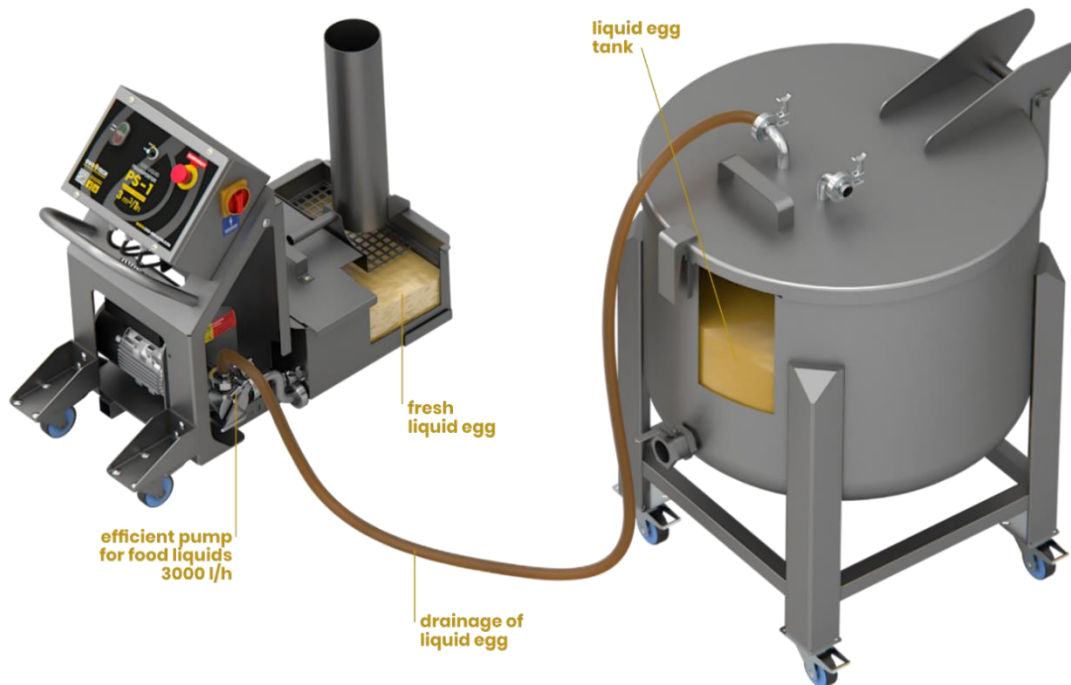
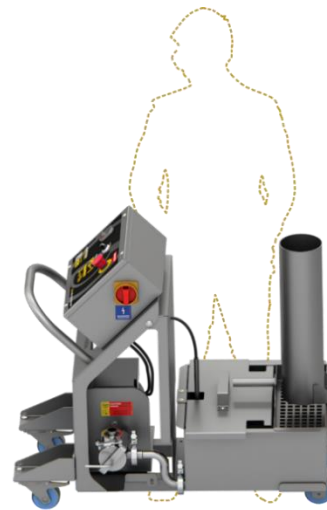
Weight: 50 kg

Water: n/a

Operated by: 1 person

Drain: n/a

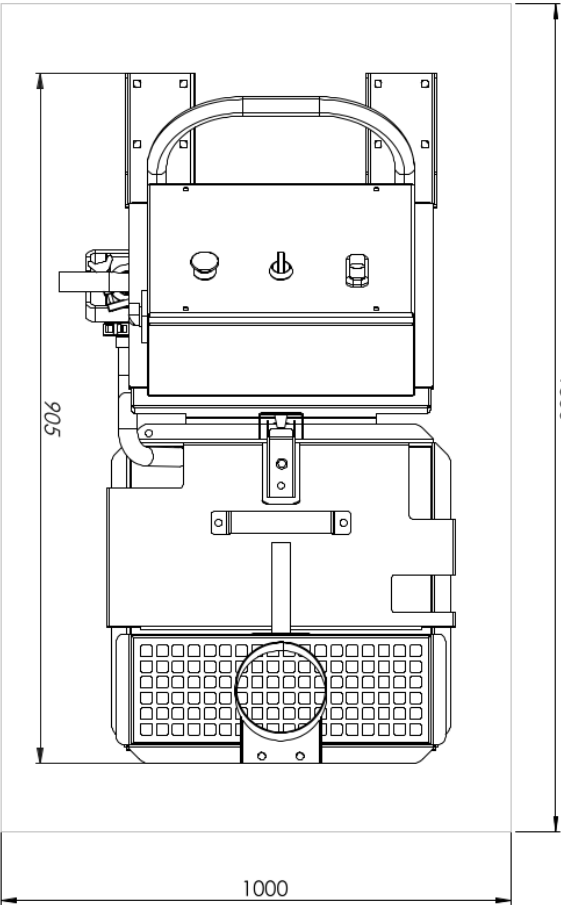
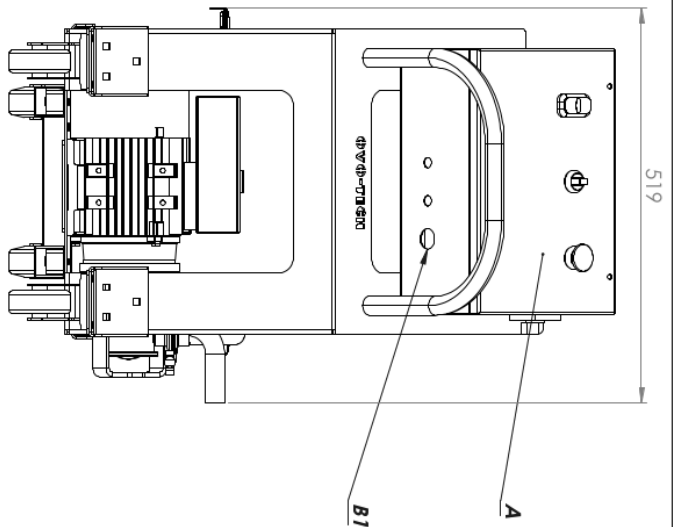
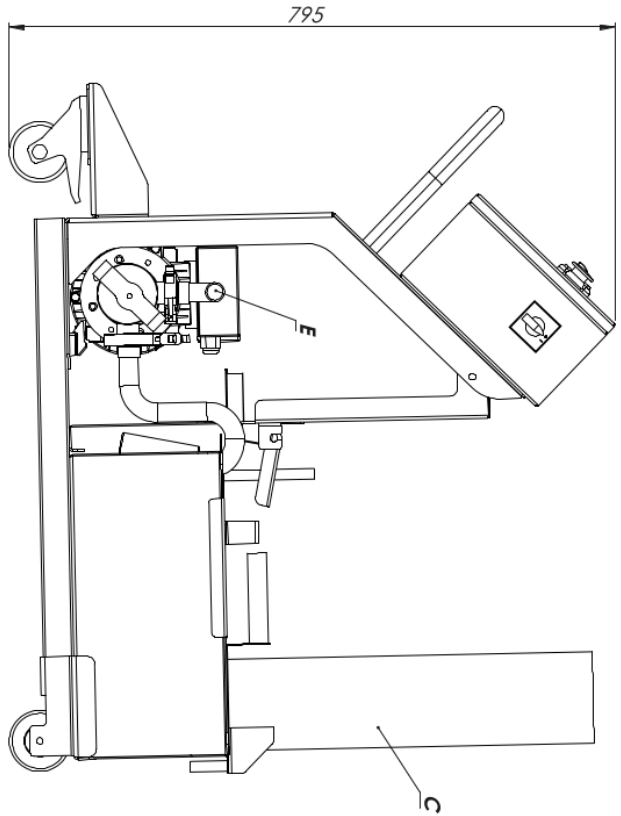
Compatibility: RZ-1/3/6/8, FS



DATE
04.01.2021

AUTHOR
ML

PROJECT
DOK-LAY-EN-1D.1.1



PS-1 pump system

Typical workplaces:	egg breaking facilities, bakeries, confectioneries, pasta making, companies
Capacity:	3000 pieces/hour
Power supply:	1 kW 400 V 3N/PE 50/60 Hz 1 kW 230 V 3N/PE 50/60 Hz
Water connection:	N/A
Compressed air connection:	N/A
Minimal workspace:	1000 x 1500 mm
Dimensions:	905 x 519 x 795
Operated by:	1 person
Minimal wall clearance:	the rear side - 600 mm
Additional information:	N/A
A	control panel
B1/B2/B3	connection, electric/water/air
D	eggs/water outlet
E	liquid egg outlet

OVO TECH

EGG PROCESSING MACHINES

All rights reserved
The information provided in this document is the sole property of OVO-TECH. Any use of this material, including reproduction, is strictly prohibited without O's written permission & strictly prohibited.