



PS-2 pump system

Description

Capacity: 6000 liters/hour

Replaces: n/a

Power supply: 2 kW 400 V 3/N/PE 50/60 Hz
2 kW 230 V 3/N/PE 50/60 Hz

Dimensions: 750x1030x1010 mm

Minimal workspace: 1500x2000 mm

Compressed air: n/a

Weight: 100 kg

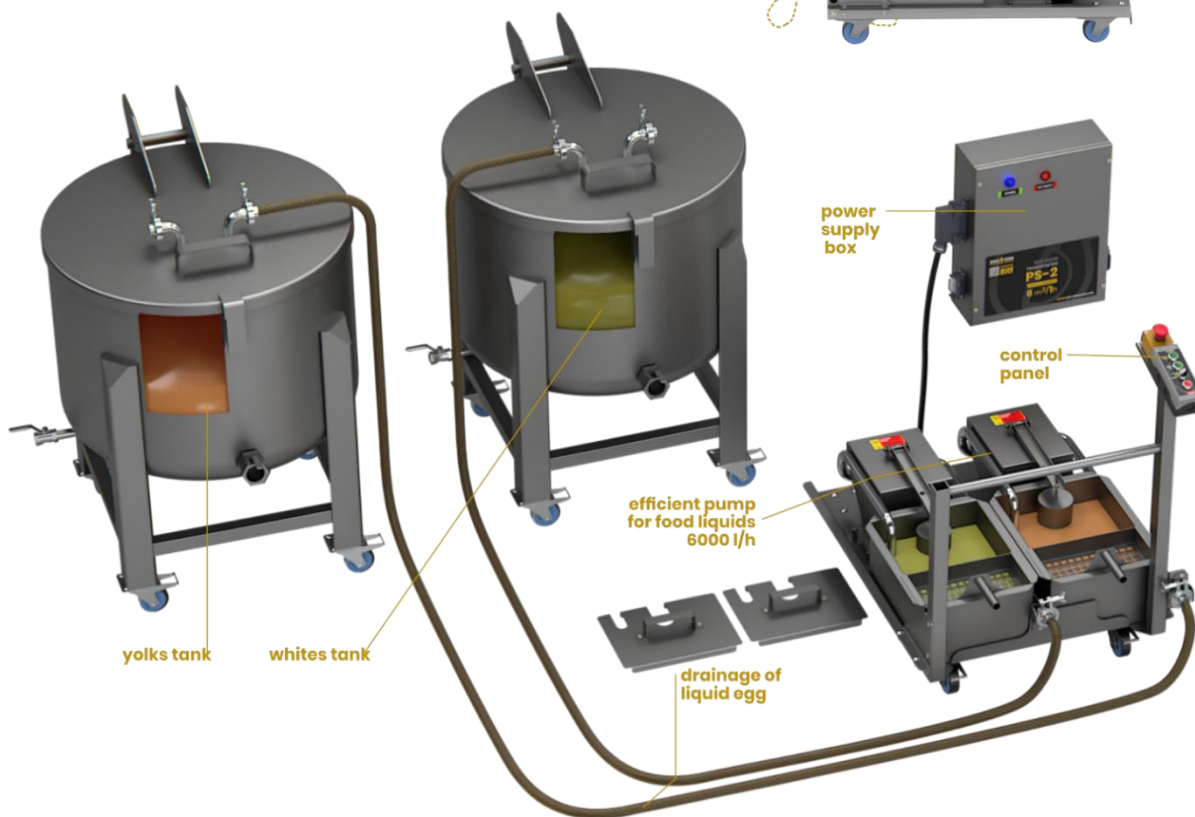
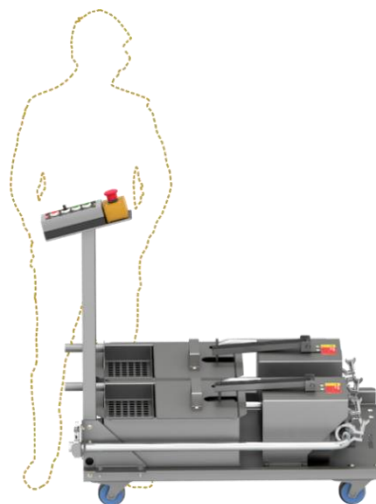
Water: n/a

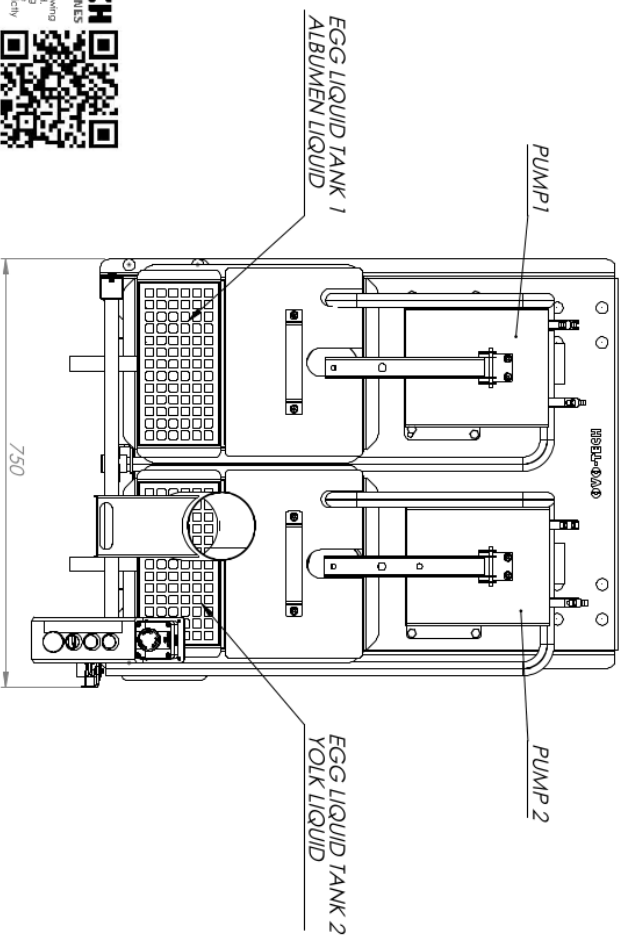
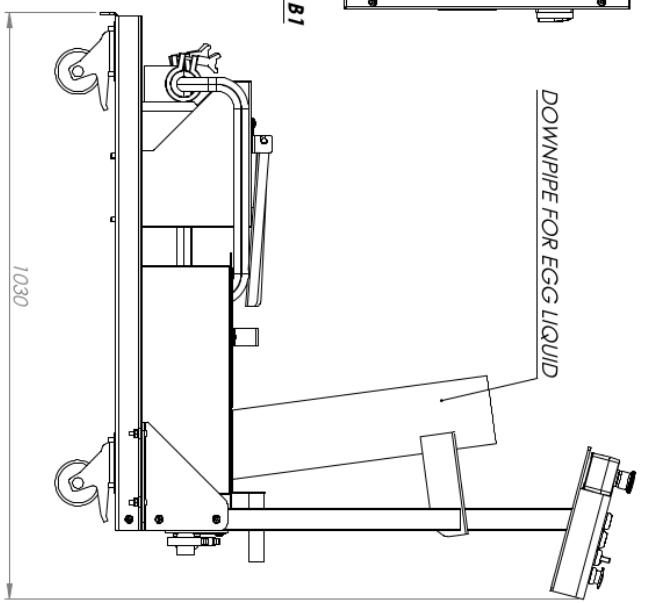
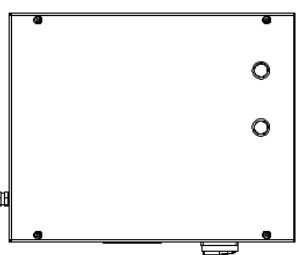
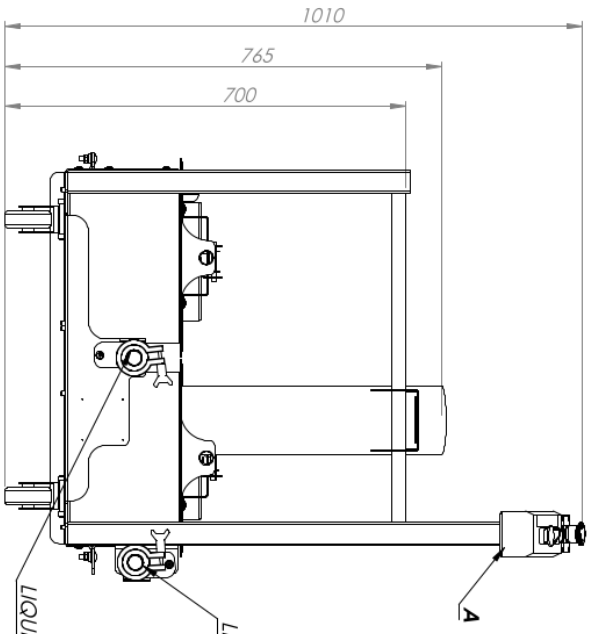
Operated by: 1 person

Drain: n/a

Compatibility: RZ-3, FS

The PS-2 pumping system buffers egg liquid in its tanks. Once the liquid reaches acceptable level, the machine initiates pumping of the egg liquid into the FS wedge wire filter or a storage container. The machine is made out of stainless steel EN 1.4301 (AISI 304).





PS-2 pump system

Typical workplaces:	egg breaking facilities, bakeries, confectioneries, pasta making, companies
Capacity:	6000 litres/hour
Power supply:	2 kW 400 V 3N/PE 50/60 Hz 2 kW 230 V 3N/PE 50/60 Hz
Water connection:	N/A
Compressed air connection:	N/A
Minimal workspace:	1500 x 2000 mm
Dimensions:	1030 x 750 x 1010 mm
Operated by:	1 person
Minimal wall clearance:	the rear side - 600 mm
Additional information:	N/A
A	control panel
B1/B2/B3	connection, electrical/water/air
D	eggs/water outlet
E	liquid egg outlet
F	liquid egg outlet

OVO TECH

EGG PROCESSING MACHINES

All rights reserved. Any use of this product, including reproduction, is the sole property of OVO-TECH without O's written permission is strictly prohibited.