



UVC-1 flood lamp

Description

Capacity: 3200 eggs/hour

Replaces: n/a

Power supply: 1.5 kW 400 V 3/N/PE 50/60 Hz
1.5 kW 230 V 3/N/PE 50/60 Hz

Dimensions: 2213x811x1604 mm

Minimal workspace: 1500x2500 mm

Compressed air: n/a

Weight: 230 kg

Water: n/a

Operated by: 1-2 persons

Drain: n/a

Compatibility: VEL-30, MT-1, RZ-1,
UDTJ-150

The disinfectant emits UV-C light with the cumulative power of 475 Watts, which acts on the eggshells and disinfects them by killing 100% of bacteria, including Salmonella. The machine is made out of stainless steel EN 1.4301 (AISI 304).



UVC-1 / UVC-3

MINIMAL WORKSPACE



UVC-6 / UVC-8

MINIMAL WORKSPACE

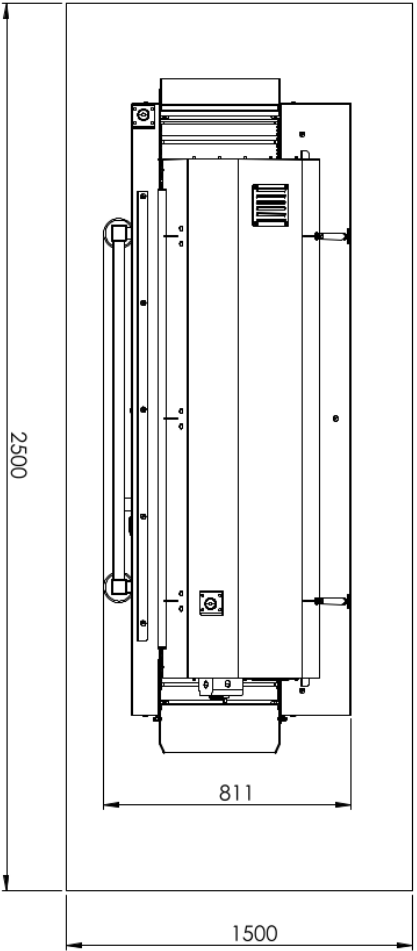
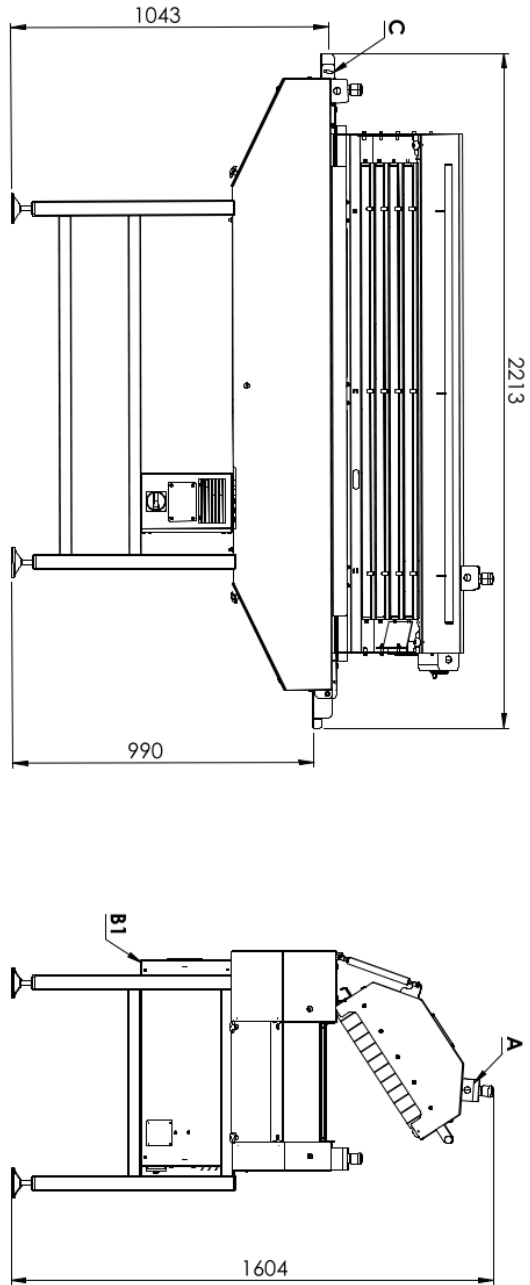


OVO-TECH HQ
Boczna 43
27-200 Starachowice
Poland, European Union

OVO-TECH USA
1680 Michigan Avenue, Suite 700
Miami Beach, FL 33139
United States

Sales
Email: sales@egg-breakers.com
Tel (Int'l): +48 792 333 900
Tel (US): +1 305 777 2227

Social media



UVC-1 flood lamp

Typical workplaces:	egg breaking facilities, bakeries, confectioneries, pasta making, companies
Capacity:	3200 eggs/hour
Power supply:	1.5 kW 400 V 3/N/PE 50/60 Hz 1.5 kW 230 V 3/N/PE 50/60 Hz
Water connection:	N/A
Compressed air connection:	N/A
Minimal workspace:	1500 x 2000 mm
Dimensions:	2213 x 811 x 1604 mm
Operated by:	1/2 person
Minimal wall clearance:	the rear side - 600 mm
Additional information:	N/A
A	control panel
B1/B2/B3	connection: electrical/water/air
C	eggs input
E	eggs/whites outlet
F	egg yolks outlet
G	egg white outlet

OVO TECH

EGG PROCESSING MACHINES

All rights reserved. No part of this document may be reproduced, stored in a retrieval system, or transmitted, in any form or by any means, without the prior written permission of OVO-TECH. Any use of this product, including modification, is prohibited.