



VEL-30 vacuum egg lifter

Description

Capacity: 30 eggs at a time

Replaces: n/a

Power supply: 0.37 kW 230 V 1/N/PE 50/60 Hz
0.45 kW 230 V 2/PE 50/60 Hz



Dimensions: 476x325x354 mm

Minimal workspace: 800x1200 mm

Compressed air: n/a

Weight: 20 kg

Water: n/a

Operated by: 1 person

Drain: n/a

Compatibility: RZ-1/3/6/8,
MT-1/3/6/8,
UVC-1/3/6/8

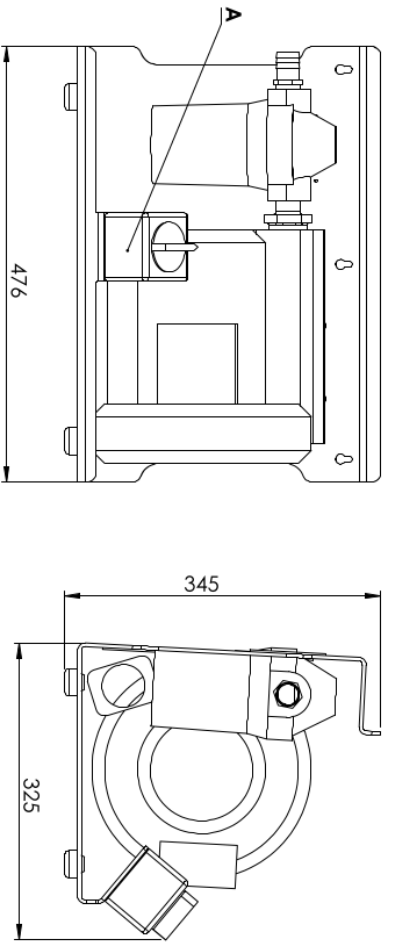
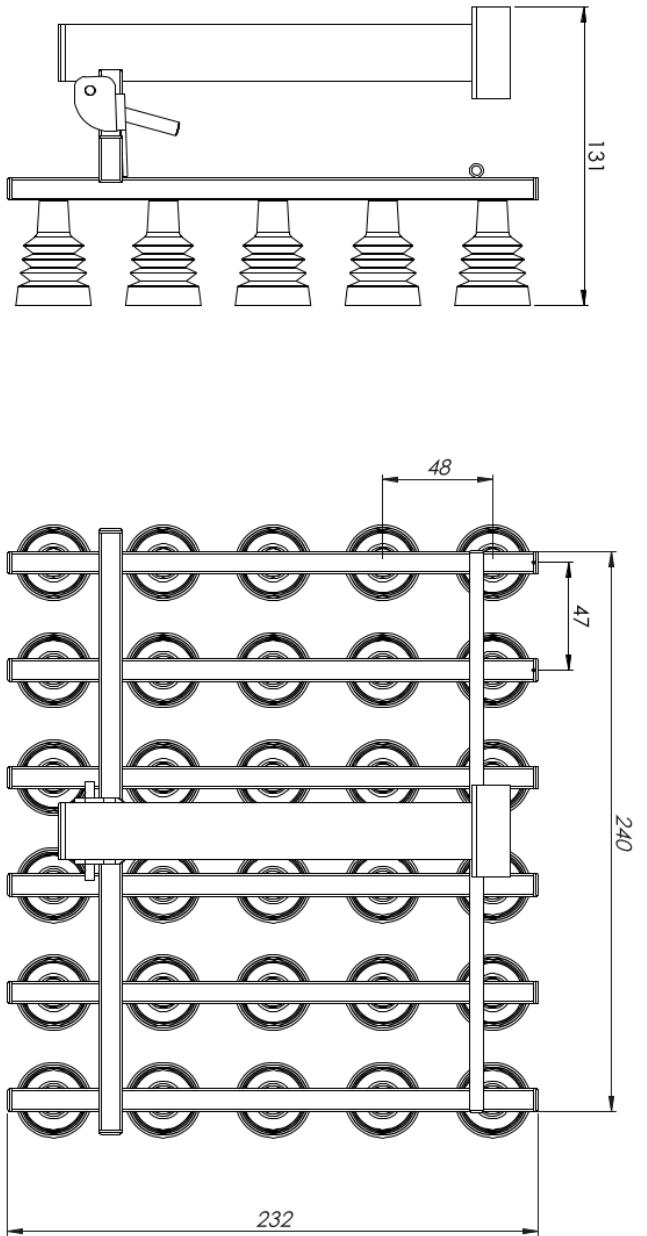
The lifter grabs the eggs with the use of rubber suction cups and accumulated vacuum, which allows for their fast and safe transportation from the egg cartons to the machine. The machine is made out of stainless steel EN 1.4301 (AISI 304).



DATE
18.01.2021

AUTHOR
ML

PROJECT
DOK-LAY-EN.M.2.1



OVO TECH

EGG PROCESSING MACHINES

All rights reserved
 This document is the sole property of OVO-TECH. Any use of this product, including reproduction, is prohibited without O's written permission & strictly prohibited.

VEL-30 vacuum egg lifter

Typical workplaces:	egg breaking facilities, bakeries, confectioneries, pasta making companies
Capacity:	30 eggs
Power supply:	0,37 kW 230 V 1/N/PE 50/60 Hz 0,45 kW 230 V 2/1PE 50/60 Hz
Water connection:	N/A
Compressed air connection:	N/A
Minimal workspace:	800 x 1200 mm
Dimensions:	476 x 325 x 354 mm
Operated by:	1 person
Minimal wall clearance:	the rear side - 600 mm
Additional information	N/A
A	control panel
B1/B2/B3	connection: electrical/water/air
C	eggs input
E	eggs/whites outlet
F	egg yolks outlet
G	egg white outlet