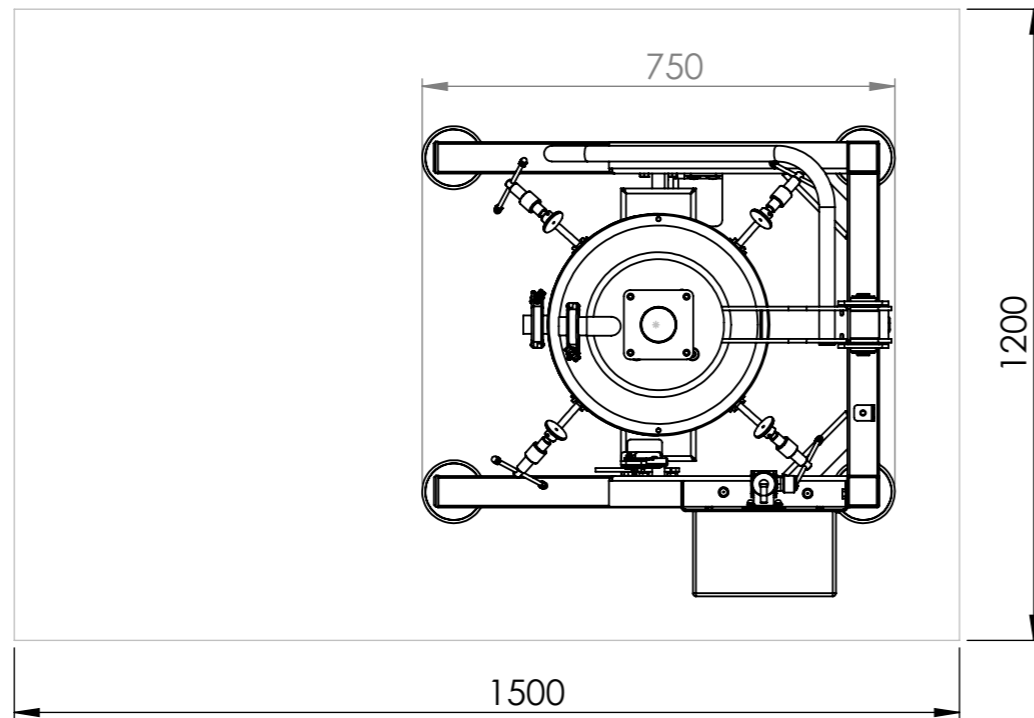
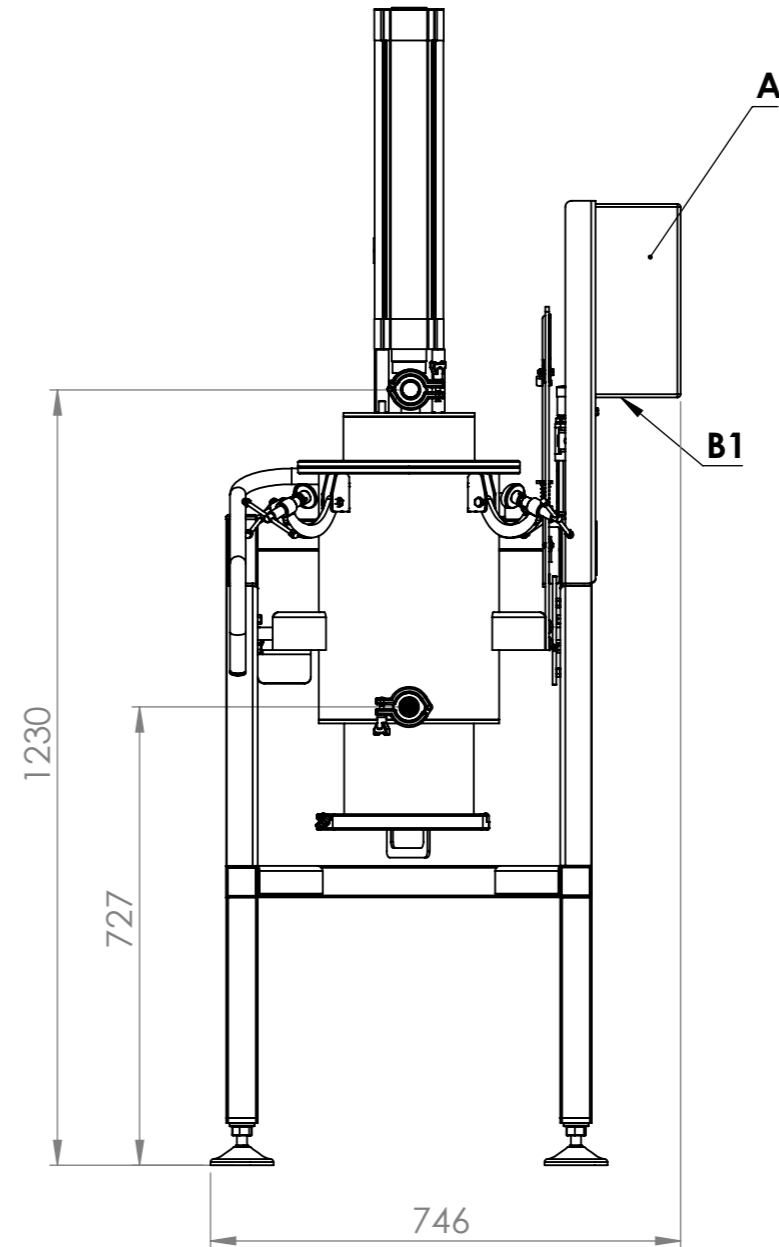
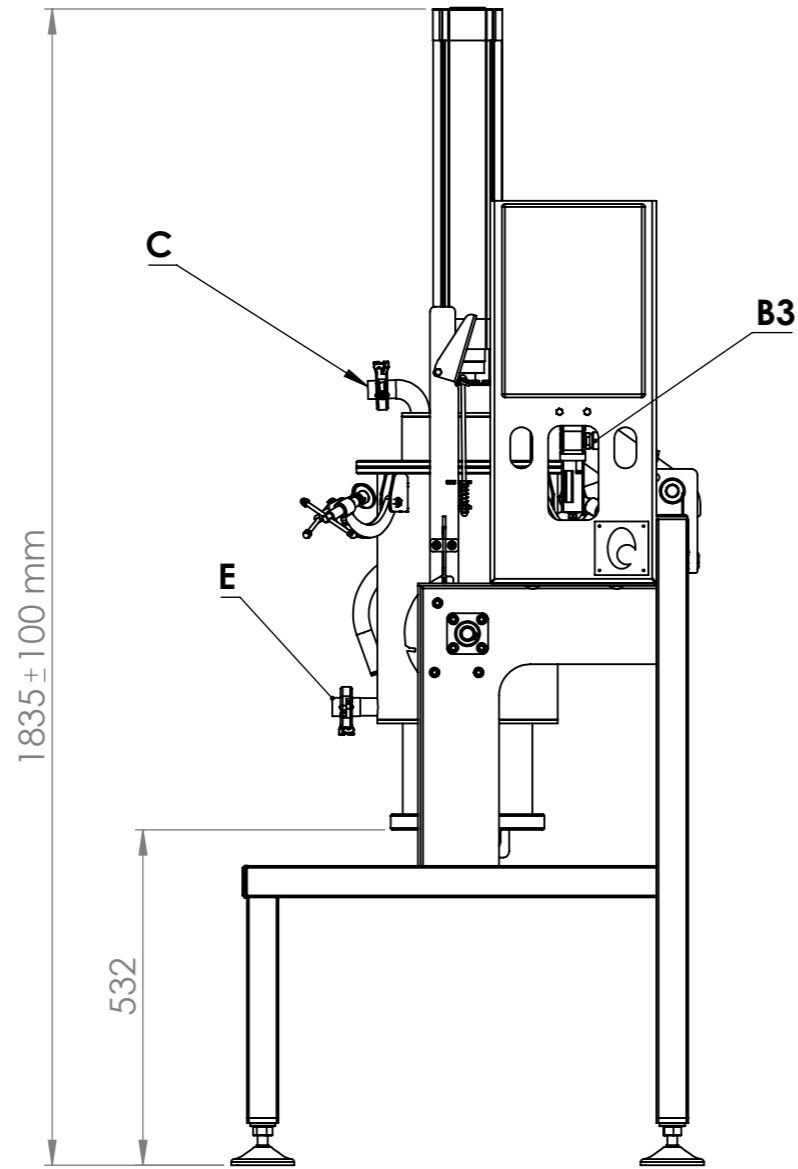


DATE
04.01.2021

AUTHOR
ML

PROJECT
2.PRO.1F-LAYOUTS



FS wedge wire filter

Typical workplaces:	egg breaking facilities, bakeries, confectioneries, pasta making companies
Capacity:	5000 liters/hour
Power supply:	0.1 kW 230 V 1/N/PE 50/60 Hz 0.1 kW 110 V 1/N/PE 50/60 Hz
Water connection:	N/A
Compressed air connection:	6-8 bar minimal flow 260 liters/hour
Minimal workspace:	1200 x 1500 mm
Dimensions:	750 x 746 x 1835
Operated by:	1 person
Minimal wall clearance:	the rear side ~600 mm
Additional information	N/A
A B1/B2/B3 C D E	control panel connections: electrical/water/air eggs input out of eggshell out of egg mass

OVO TECH
EGG PROCESSING MACHINES
All rights reserved

Information presented in this drawing is the sole property of OVO-TECH. Any use of this material, including reproduction of parts or in whole without a written permission is strictly prohibited.