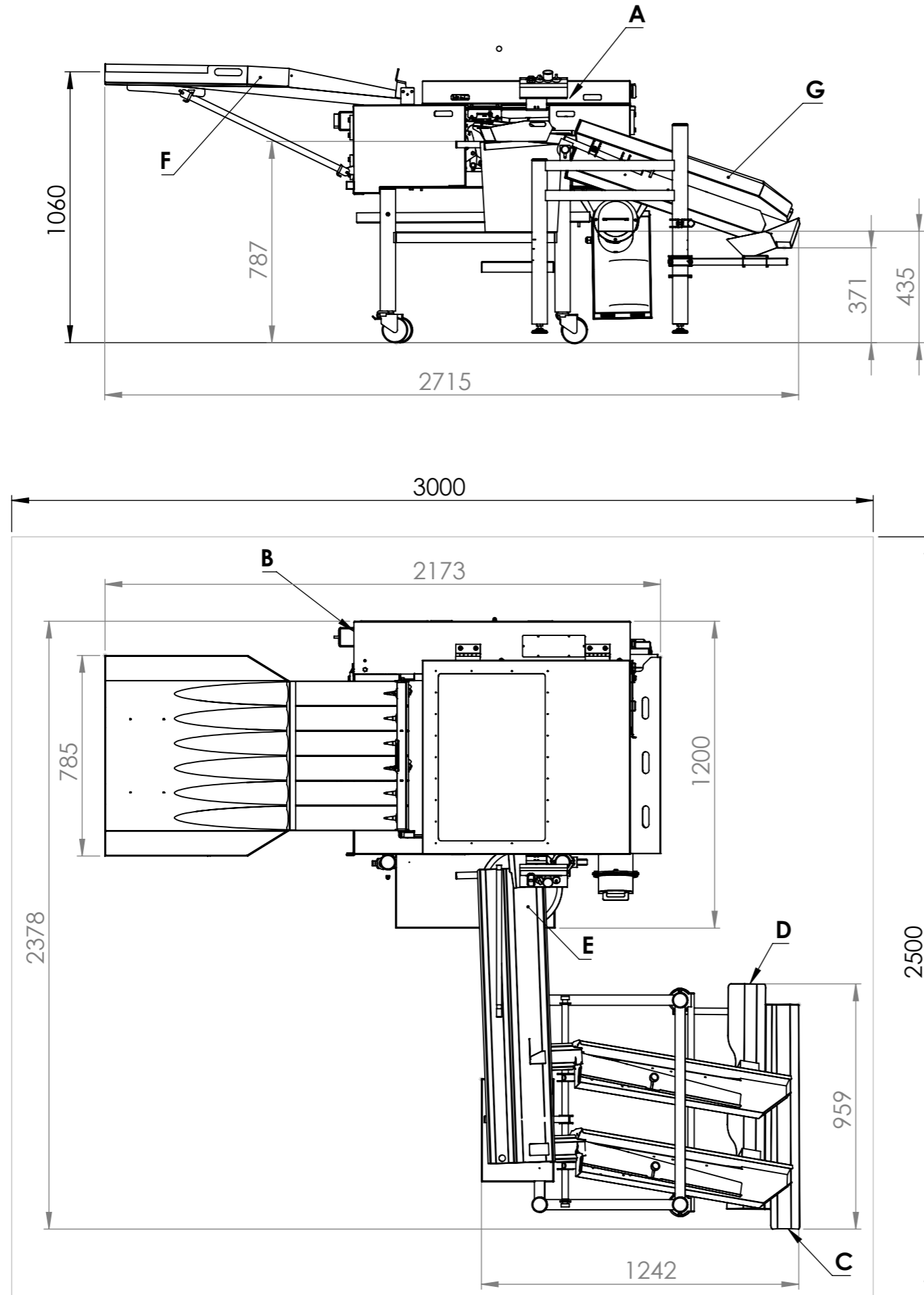


Rz6 - Egg breakers



Capacity 19200 eggs/h

- A - Control Panel
- B - Switch ON/OFF
- C - Outflow of white
- D - Outflow of yolk
- E - Outflow of liquid eggs
- F - Egg feeder
- G - Egg separator

Total power supply 4kW 400V 3/N/PE 50/60Hz
 230V 3/N/PE 50/60Hz

Total weight: 2x180kg

Necessary minimum distance to walls

- to the rear side 500mm

Minimum workspace: 2500x3000