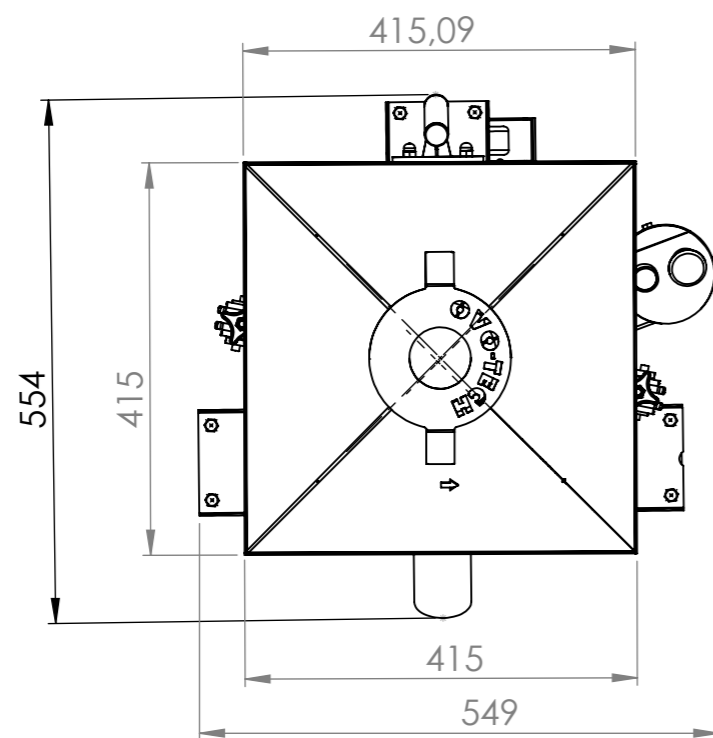
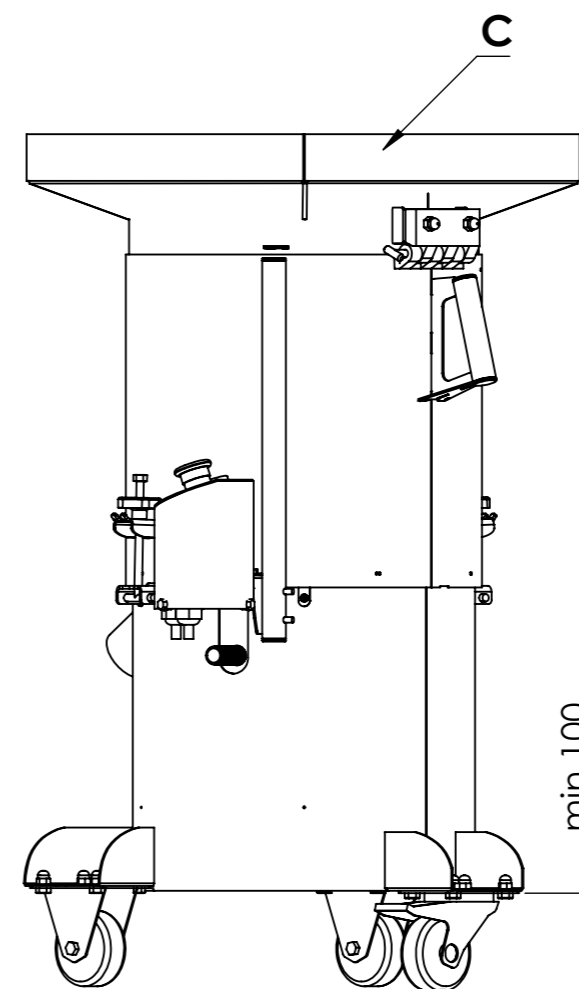
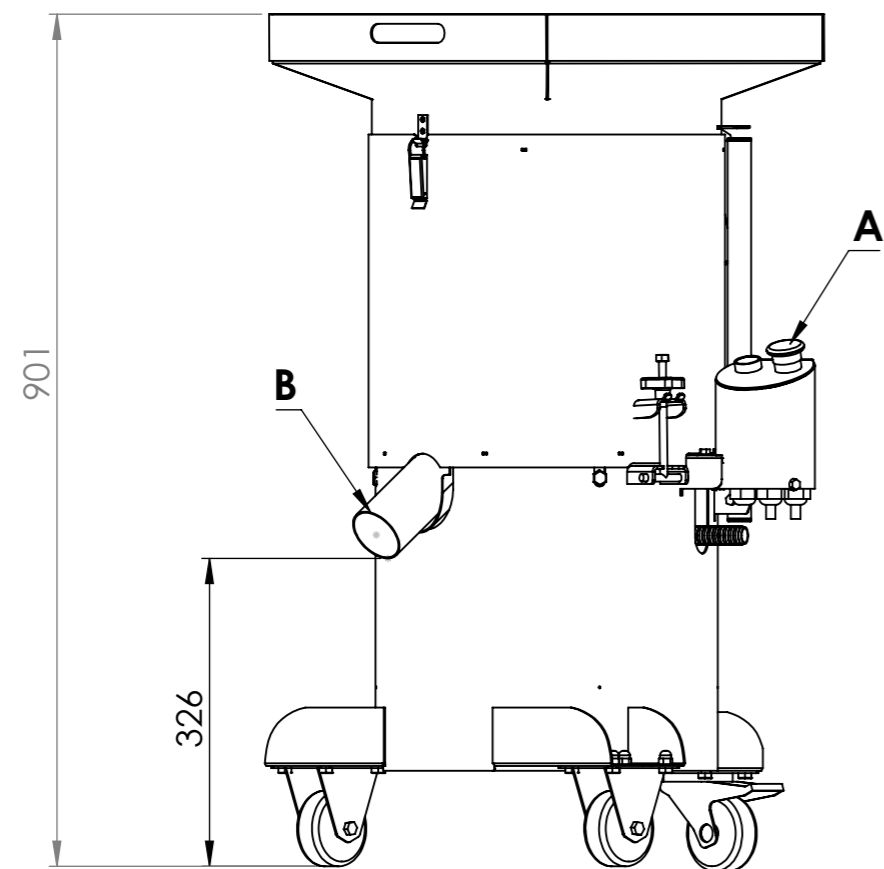


UDTJ 10 - Egg centrifuge



Capacity max 4 000 eggs/h

A - Control pnel
B - Outflow of liquid egg
C - Egg input

Power supply 1,1kW 400V 3/N/PE 50/60Hz
230V 3/N/PE 50/60Hz

Total weight: 60kg

Necessary minimum distance to walls

- to the rear side 350mm

Minimum workspace 1000x1000

OVO-TECH

RESERVED AND CONFIDENTIAL
INFORMATION INCLUDED IN THIS
THE DRAWING ARE SOLELY OWNERSHIP
Piotr Drapejkowski.
ANY REPRODUCTIONS OF PARTS OR
WHOLE WITHOUT WRITTEN CONDITION
Piotr Drapejkowski are
PROHIBITED.

UDTJ10 - Egg centrifuge