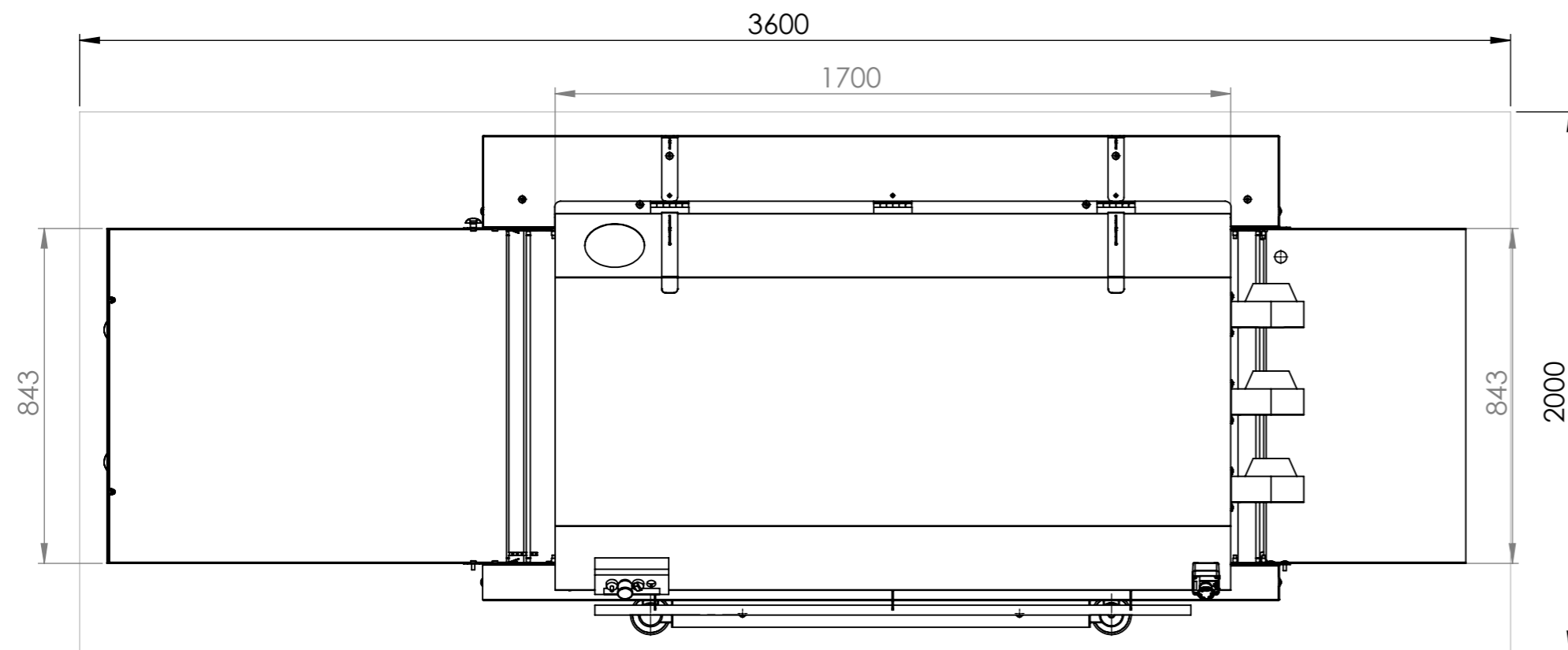
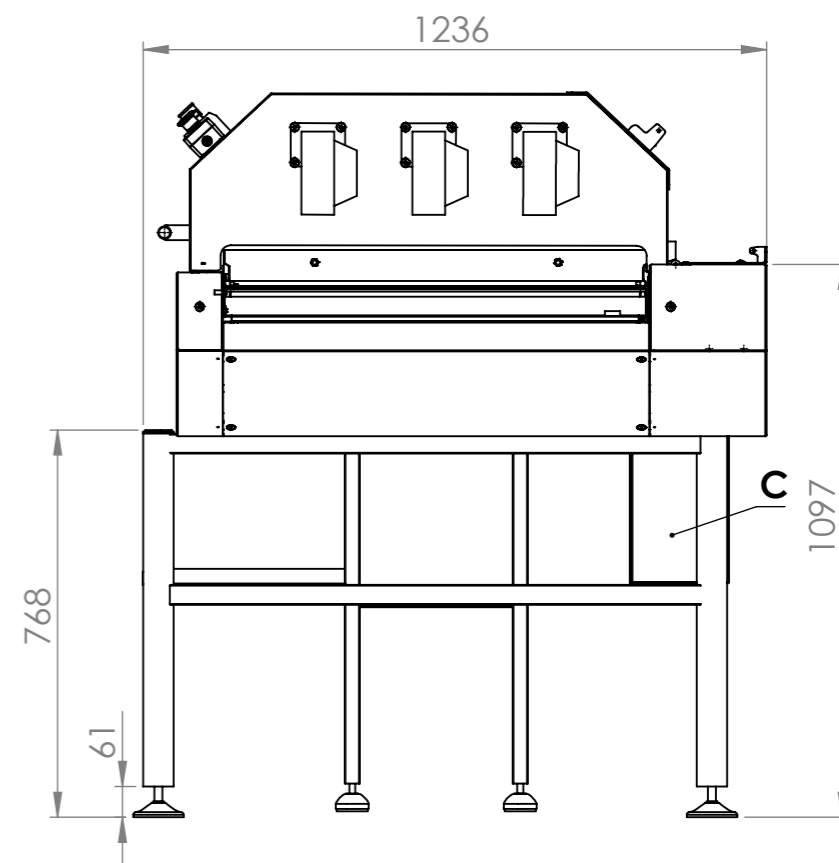
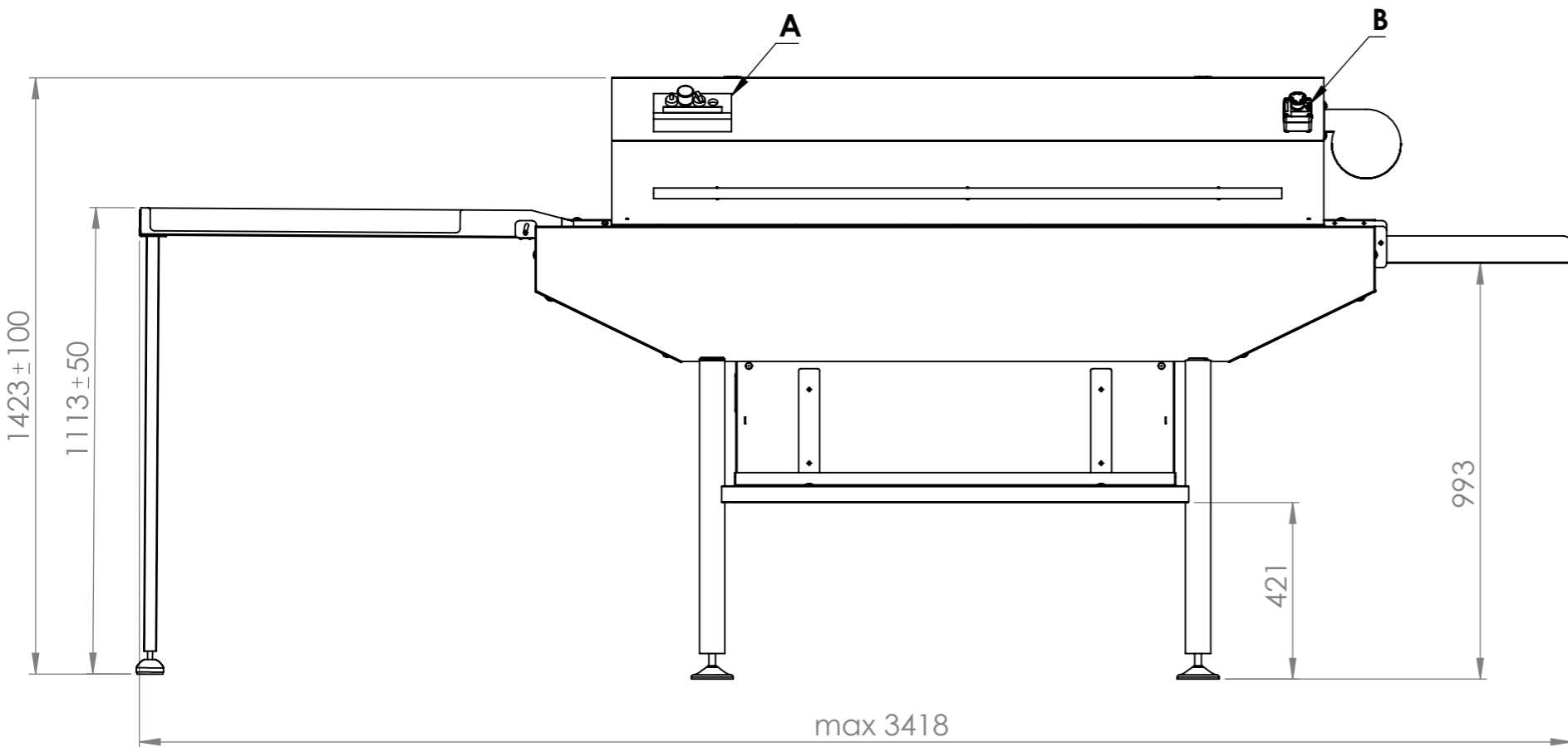


UVC - 6/8



Capacity 19200 eggs/h

- A** - Panel control
- B** - STOP
- C** - Total power supply 18kW 400V 3/N/PE

Necessary minimum distance to walls

- to the rear side 500mm

Minimum distance to work: 2000x3600

OVO-TECH

RESERVED AND CONFIDENTIAL
 INFORMATION INCLUDED IN THIS
 THE DRAWING ARE SOLELY OWNERSHIP
 Piotr Drapejkowski.
 ANY REPRODUCTIONS OF PARTS OR
 WHOLE WITHOUT WRITTEN CONDITION
 Piotr Drapejkowski are
 PROHIBITED.

UVC Sanitize - 6/8

OVO-TECH

RESERVED AND CONFIDENTIAL
INFORMATION INCLUDED IN THIS
DRAWING ARE SOLELY OWNERSHIP
Piotr Drapejkowski.
ANY REPRODUCTIONS OF PARTS OR
WHOLE WITHOUT WRITTEN CONDITION
Piotr Drapejkowski are
PROHIBITED.

MT3 - Egg tunnel washer.