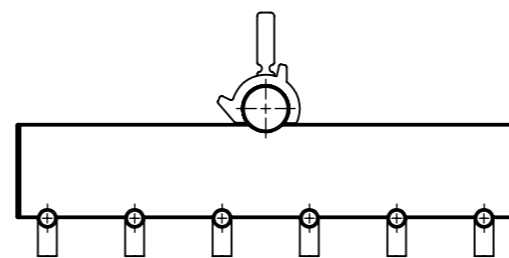
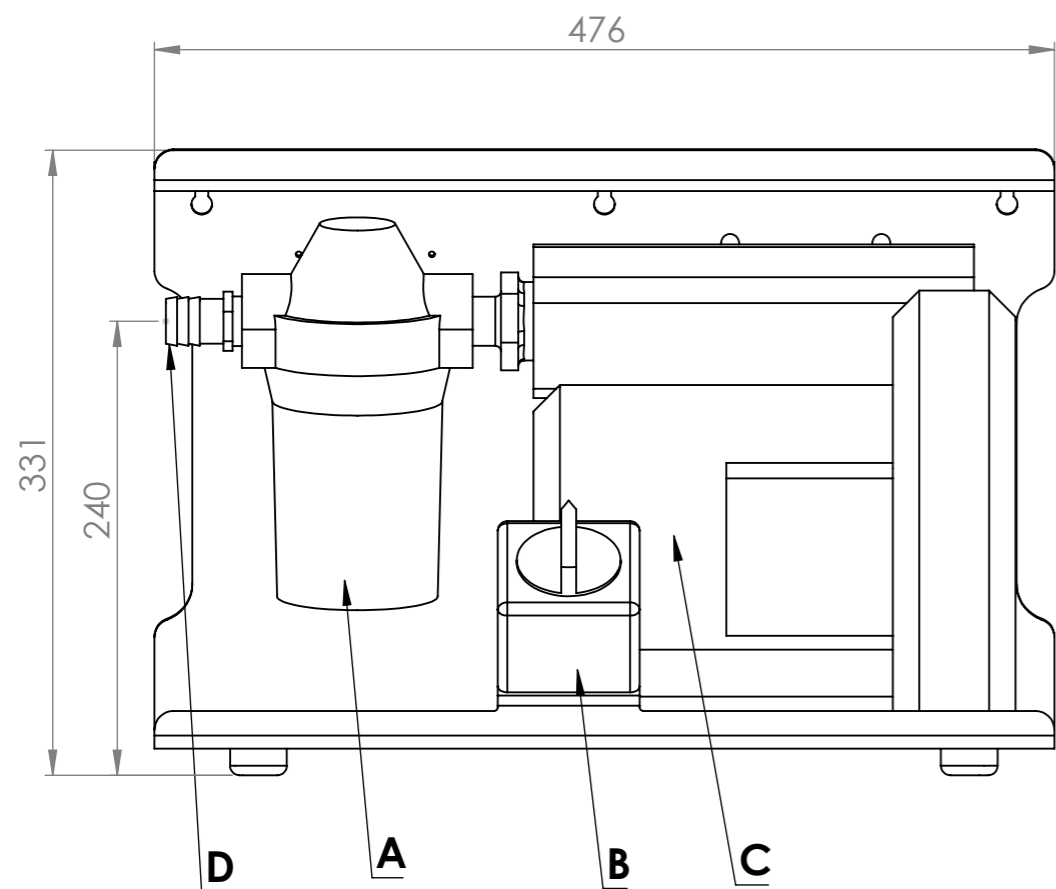
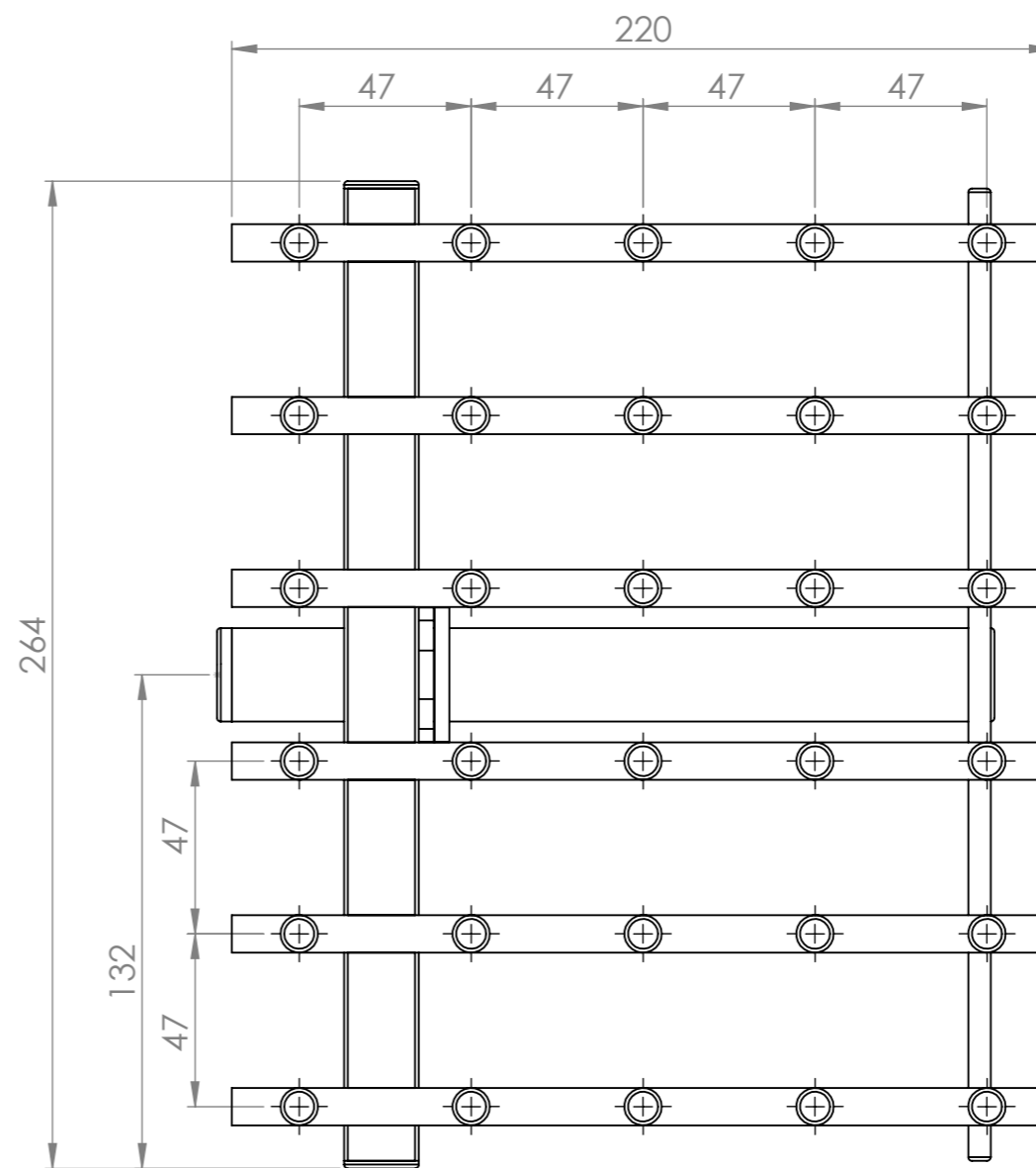
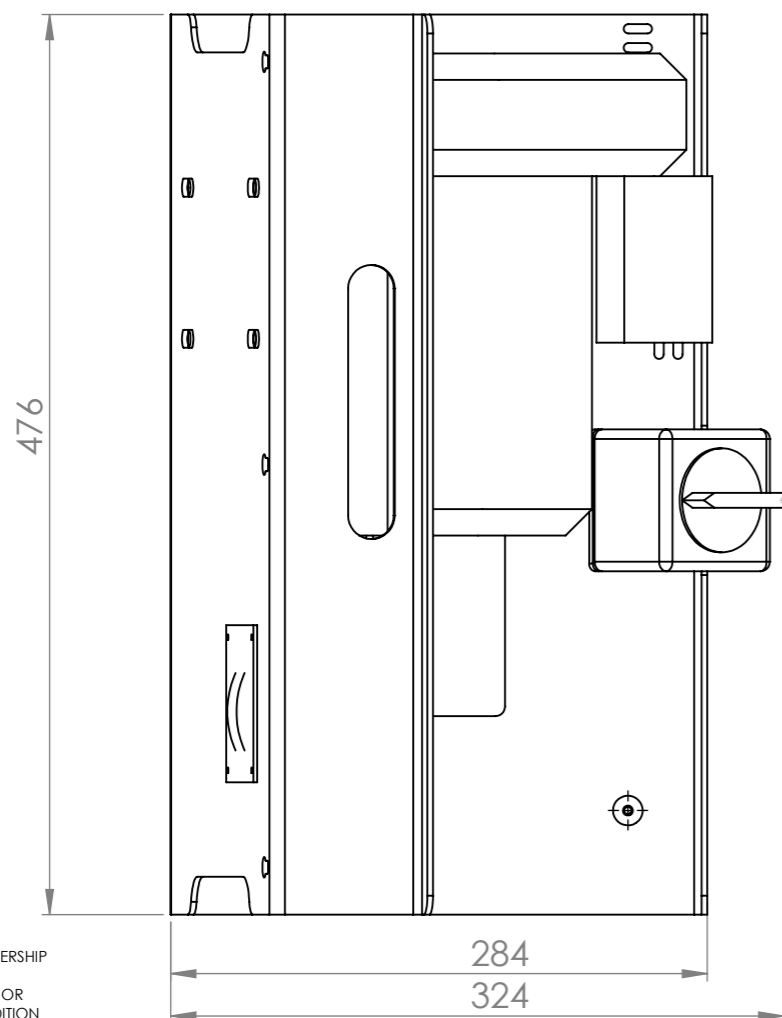


VEL 30 Egg lifter.



A - Air filter
 B - Switch ON/OFF
 C - Vacuum pump
 D - Vacuum supply
 Power supply 1,1 kW 230V 1/N/PE 50/60Hz

The device may be suspended on the wall



OVO-TECH
 RESERVED AND CONFIDENTIAL
 INFORMATION INCLUDED IN THIS
 THE DRAWING ARE SOLELY OWNERSHIP
 Piotr Drapejkowski.
 ANY REPRODUCTIONS OF PARTS OR
 WHOLE WITHOUT WRITTEN CONDITION
 Piotr Drapejkowski are
 PROHIBITED.