



## UDTJ-150 centrifugal egg cracker

## Description

**Capacity:** 20 000 recommended / max 30 000 eggs/hour

**Replaces:** 15 people

**Power supply:** 1.1 kW 400 V 3/N/PE 50/60 Hz  
1.1 kW 230 V 3/N/PE 50/60 Hz  
1.1 kW 110 V 1/N/PE 50/60 Hz

**Dimensions:** 643x697x907 mm

**Minimal workspace:** 1500x1500 mm

**Weight:** 80 kg

**Operated by:** 1 person

**Compatibility:** MT-1/3/6, UVC-1/3/6, PS-UDTJ, FS

The UDTJ-150 is an automatic centrifugal egg cracker which produces fresh liquid egg. After filling the hopper with eggs, the eggs are cracked and the eggshells are filtered out with the use of a special rotating sieve with a mesh size of 0.8 mm. Clean egg liquid is then transported to a placed container, and eggshells are automatically removed from the machine. The machine is made out of stainless steel EN 1.4301 (AISI 304).

**Compressed air:** n/a

**Water:** n/a

**Drain:** n/a



### OVO-TECH HQ

Boczna 43  
27-200 Starachowice  
Poland, European Union

### OVO-TECH USA

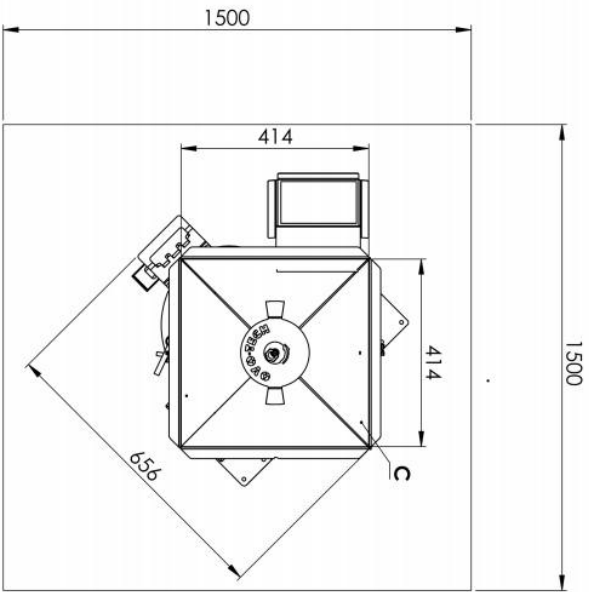
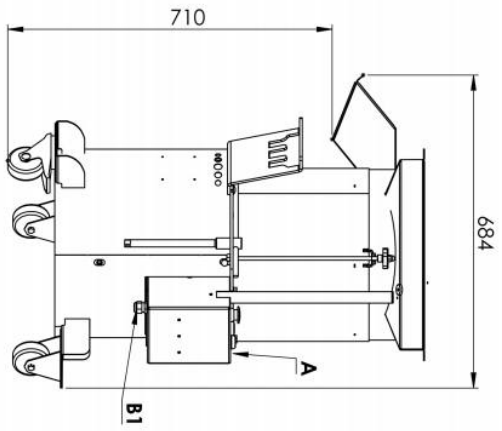
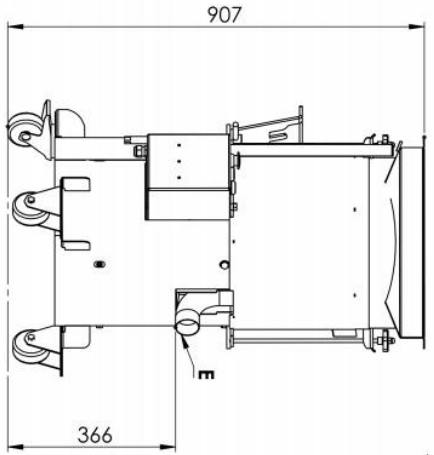
1680 Michigan Avenue, Suite 700  
Miami Beach, FL 33139  
United States

### Sales

Email: [sales@egg-breakers.com](mailto:sales@egg-breakers.com)  
Tel (Int'l): +48 792 333 900  
Tel (US): +1 305 777 2227

### Social media





**UDTJ-150 centrifugal egg cracker**

<b>Typical workplaces:</b>	egg breaking facilities, bakeries, confectioneries, pasta making companies
<b>Capacity:</b>	20000 eggs/hour
<b>Power supply:</b>	1.1 kW 400 V 3/N/PE 50/60 Hz 1.1 kW 230 V 3/N/PE 50/60 Hz 1.1 kW 110 V 1/N/PE 50/60 Hz
<b>Water connection:</b>	N/A
<b>Compressed air connection:</b>	N/A
<b>Minimal workspace:</b>	1500 x 1500 mm
<b>Dimensions:</b>	656 x 684 x 907 mm
<b>Operated by:</b>	1 person
<b>Minimal wall clearance:</b>	the rear side - 600 mm
<b>Additional information</b>	N/A
<b>A</b>	control panel
<b>B1/B2/B3</b>	connection electrical/water/air
<b>C</b>	eggs input
<b>D</b>	eggs output
<b>E</b>	eggs outlet
<b>F</b>	egg yolk outlet
<b>G</b>	egg white outlet

**OVO TECH**

EGG PROCESSING MACHINES

All rights reserved. All trademarks mentioned in this document are the sole property of OVO TECH. Any use of this product, including reproduction, is strictly prohibited without our written permission's strictly prohibited.