



RX-2 egg breaker

Description

Capacity: 13 000 eggs/hour

Replaces: 28 people

The egg breaker imitates the work of human hands by cracking the eggshells with the use of special knives. The machine's high capacity is attributed to the use of a rotating knife mechanism. After being cracked open, eggs slide down a separator, where yolks are separated from egg whites. This most hygienic egg breaking method is an innovation by OVO-TECH. After completion of the job, the machine can be closed and cleaned with the use of a CIP system.

The RX-2 egg breaker breaks eggs using two rows of highly specialized knife mechanisms. Eggs are automatically fed into the machine from a belt feeder. Yolk and white separation is accomplished with the use of a single, compact size separator.

The machine is made out of stainless steel EN 1.4301 (AISI 304).

Power supply: 1 kW 400 V 3/N/PE 50/60 Hz
1 kW 230 V 3/N/PE 50/60 Hz

Dimensions: 3900x970x1550 mm

Minimal workspace: 4500x2500 mm

Compressed air: n/a

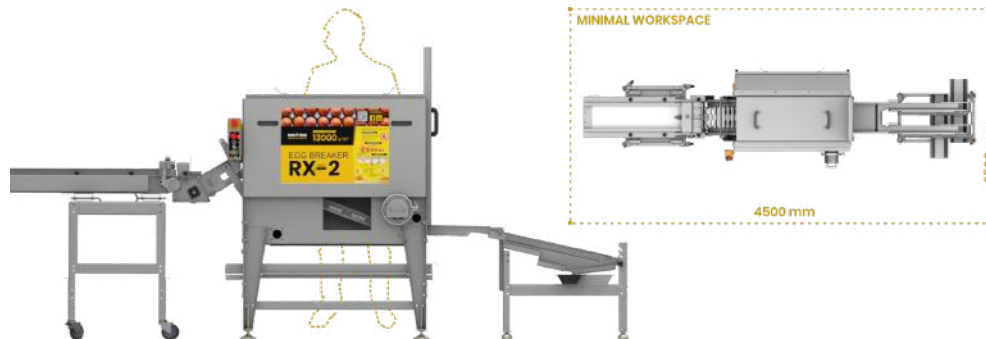
Weight: 415 kg

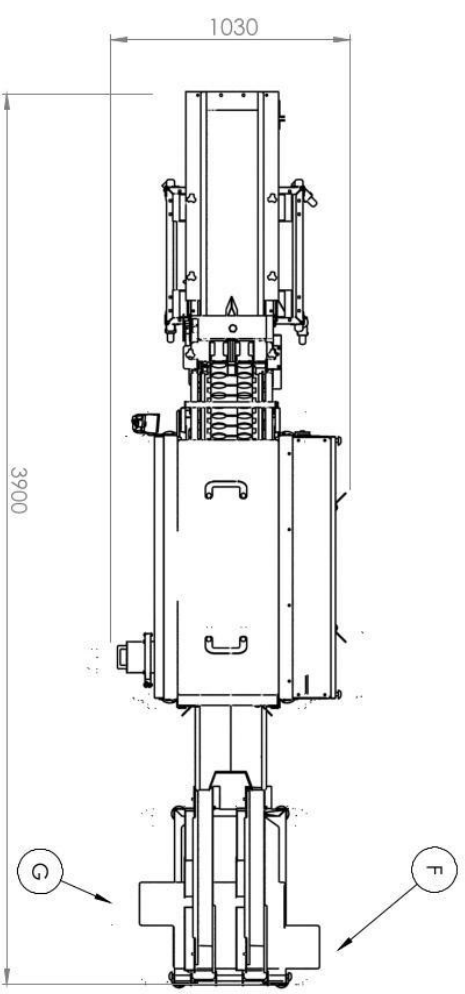
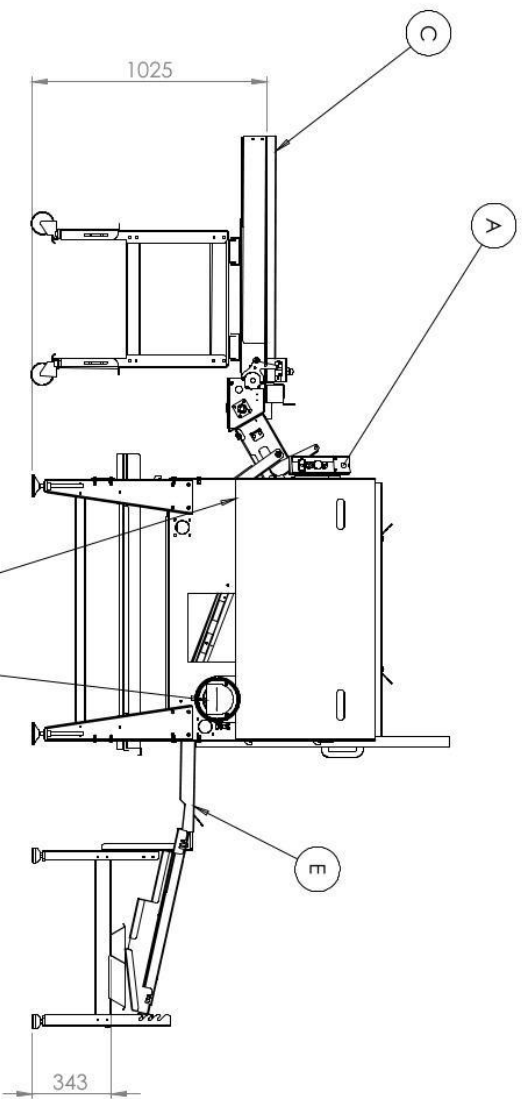
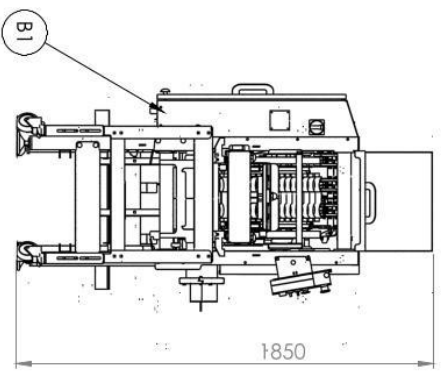
Water: water from client's installation

Operated by: 2-3 persons

Drain: n/a

Compatibility: 2xVEL-30, MX-2, UX-2, 2xPS-1, 2xFS





RX2 egg breaker

Typical workplaces:	egg breaking facilities, bakeries, confectioneries, pasta making companies
Capacity:	13000 eggs/hour
Power supply:	1 kW 230 V 3~/N/PE 50/60 Hz 1 kW 400 V 3~/N/PE 50/60 Hz
Water connection:	Input 1" output 2"
Compressed air connection:	
Minimal workspace:	4500x2500 mm
Dimensions:	3650x970x1550
Opened by:	1-3persons
Minimal wall clearance:	the rear side - 600 mm
Additional information:	N/A
A	control panel
B1/B2	connectors electrical/water
C	eggs input
D	eggs/peels outlet
E	egg yolks outlet
F	egg yolks outlet
G	egg white outlet

OVO TECH

EGG PROCESSING MACHINES

All rights reserved. No part of this document may be reproduced, stored in a retrieval system, or transmitted, in any form or by any means, without the prior written permission of OVO-TECH. Any use of this product, including modification, is prohibited without OVO-TECH's written permission is strictly prohibited.