



RX-6 egg breaker

Description

Capacity: 39 000 eggs/hour

Replaces: 85 people

Power supply: 2 kW 400 V 3/N/PE 50/60 Hz
2 kW 230 V 3/N/PE 50/60 Hz

Dimensions: 3900x1530x1550 mm

Minimal workspace: 4500x3000 mm

The egg breaker imitates the work of human hands by cracking the eggshells with the use of special knives. The machine's high capacity is attributed to the use of a rotating knife mechanism. After being cracked open, eggs slide down a separator, where yolks are separated from egg whites. This most hygienic egg breaking method is an innovation by OVO-TECH. After completion of the job, the machine can be closed and cleaned with the use of a CIP system.

The RX-6 egg breaker breaks eggs using six rows of highly specialized knife mechanisms. Eggs are automatically fed into the machine from a belt feeder. Yolk and white separation is accomplished with the use of four perpendicularly placed separators.

The machine is made out of stainless steel EN 1.4301 (AISI 304).



Compressed air: n/a

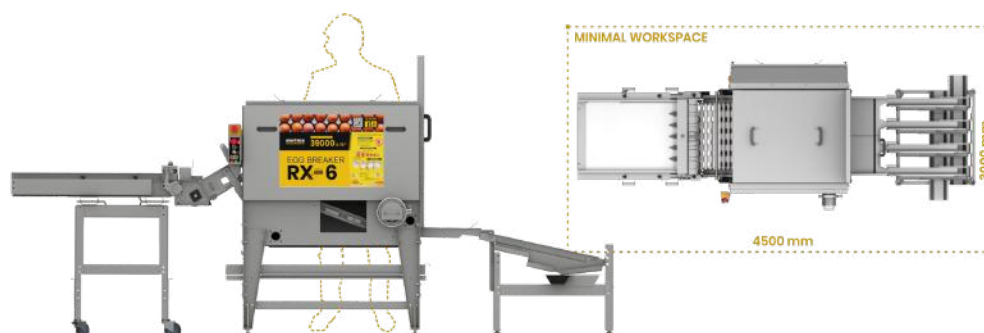
Weight: 540 kg

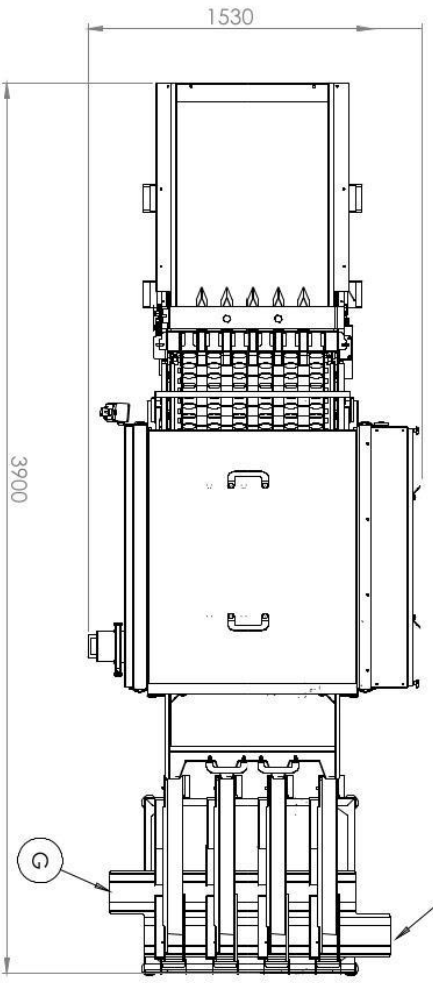
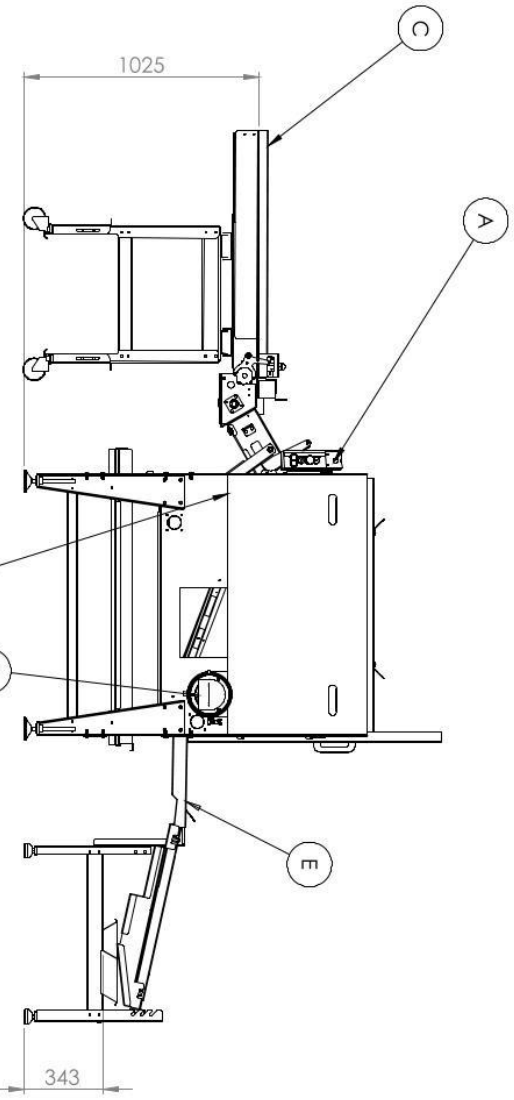
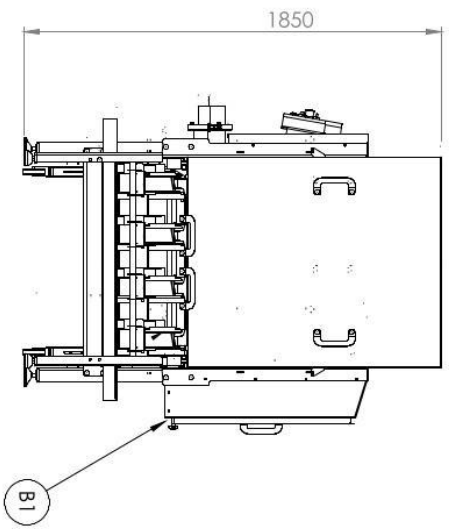
Water: water from client's installation

Operated by: 4-5 persons

Drain: n/a

Compatibility: 3xVEL-30, MX-6, UX-6, 2xPS-1, 2x FS





OVO TECH
 EGG PROCESSING MACHINES

All rights reserved. No part of this document may be reproduced, stored in a retrieval system, or transmitted in any form or by any means, electronic, mechanical, photocopying, recording, or by any information storage and retrieval system, without the prior written permission of OVO TECH.

RX 6

Typical workplaces:	egg breaking facilities, bakeries, confectioneries, pasta making companies
Capacity:	max. 30000 eggs/hour
Power supply:	3kW 400V 3N/PE 50/60 Hz 2kW 230V 3N/PE 50/60 Hz
Water connection:	input 1" output 2"
Compressed air connection:	
Minimal workspace:	4300 x 3000 mm
Dimensions:	3550x1530x1550
Opened by:	4-5 persons
Minimal wall clearance:	the rear side - 600 mm
Additional information:	N/A
A	control panel
B1/B2	connection: electrical/water
C	eggs input
D	eggshells outlet
E	eggs output
F	egg yolks outlet
G	egg white outlet