



## RX mini egg breaker

## Description

**Capacity:** 6400 eggs/hour

**Replaces:** 14 people

**Power supply:** 1 kW 400 V 3/N/PE 50/60 Hz  
1 kW 230 V 3/N/PE 50/60 Hz  
1 kW 110 V 1/N/PE 50/60 Hz

**Dimensions:** 1950x1170x1320 mm

**Minimal workspace:** 3500x2500 mm

**Compressed air:** n/a

**Weight:** 280 kg

**Water:** water from client's installation

**Operated by:** 1-2 persons

**Drain:** n/a

**Compatibility:** VEL-30, MXmini, UXmini, UZS, PS-2, FS

The egg breaker imitates the work of human hands by cracking the eggshells with the use of special knives. The machine's high capacity is attributed to the use of a rotating knife mechanism. After being cracked open, eggs slide down a separator, where yolks are separated from egg whites. This most hygienic egg breaking method is an innovation by OVO-TECH. After completion of the job, the machine can be closed and cleaned with the use of a CIP system.

The RXmini egg breaker breaks eggs using one row of highly specialized knife mechanisms. Eggs are automatically fed into the machine from a belt feeder. Yolk and white separation is accomplished with the use of a single, compact size separator.

The machine is made out of stainless steel EN 1.4301 (AISI 304).



### OVO-TECH HQ

Boczna 43  
27-200 Starachowice  
Poland, European Union

### OVO-TECH USA

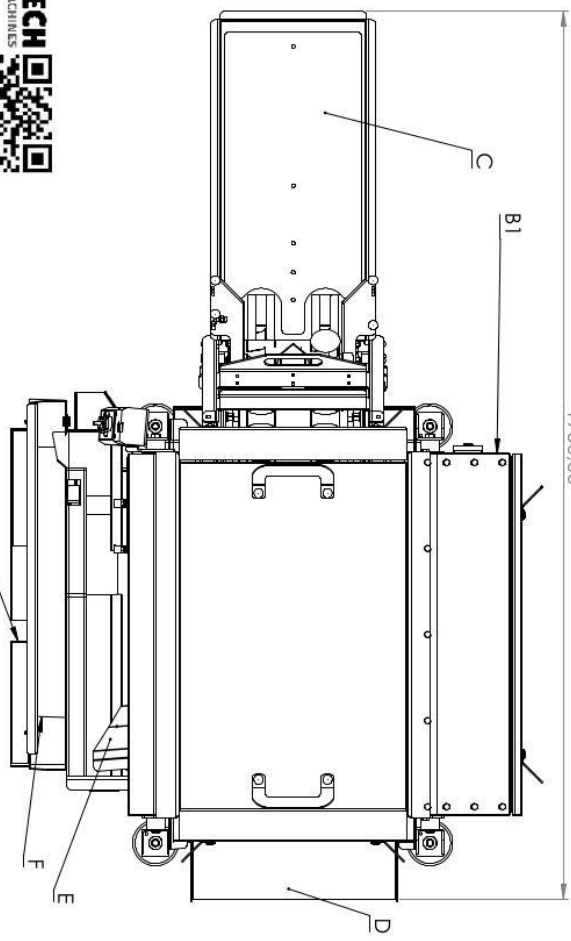
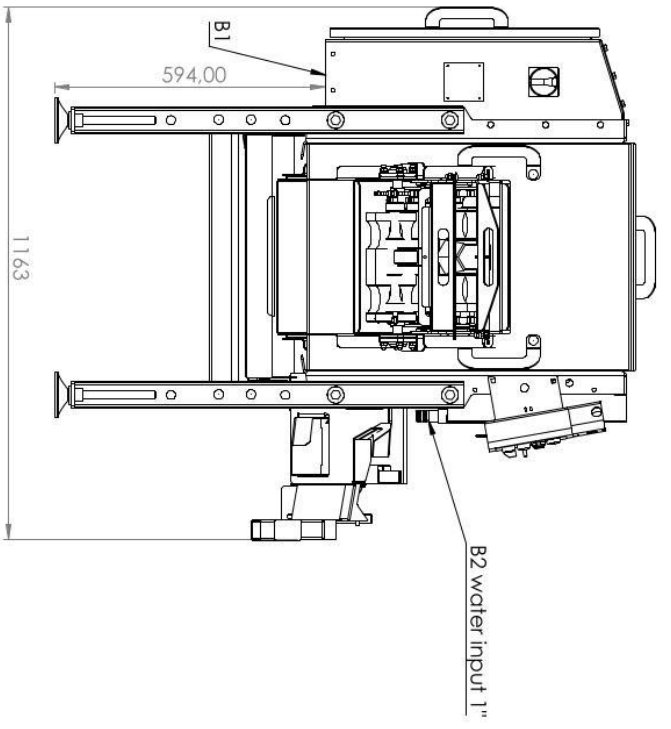
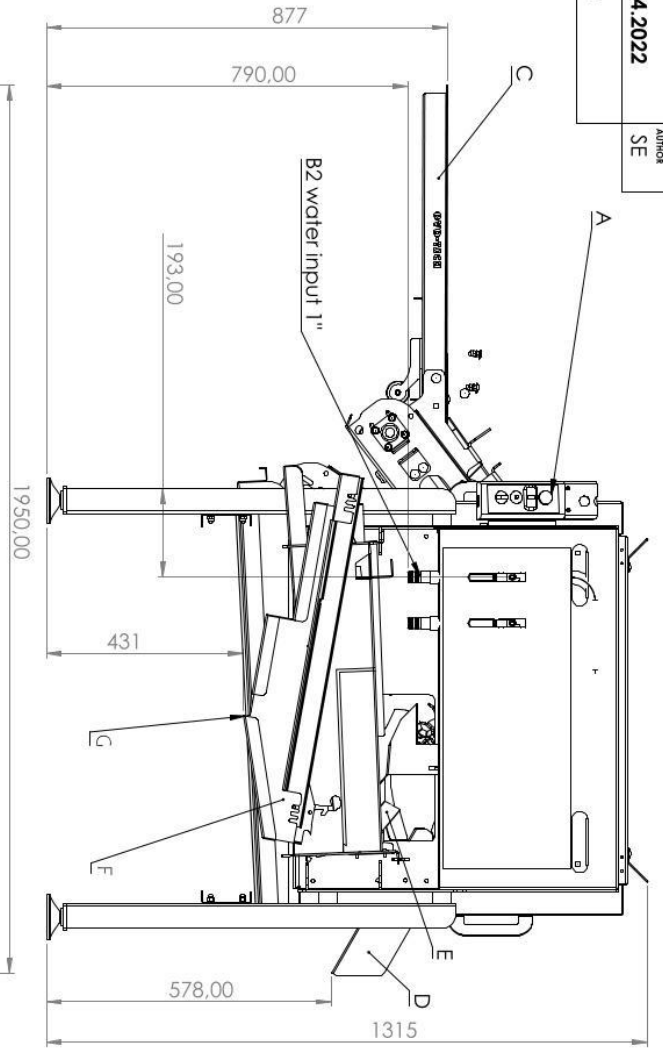
1680 Michigan Avenue, Suite 700  
Miami Beach, FL 33139  
United States

### Sales

Email: [sales@egg-breakers.com](mailto:sales@egg-breakers.com)  
Tel (Int'l): +48 792 333 900  
Tel (US): +1 305 777 2227

### Social media





All rights reserved  
 ECG PROCESSING MACHINES  
 Any use of the provided drawing is the sole property of OVO TECH  
 without OVO TECH permission is strictly prohibited.

**RX - MIN**

Typical workplaces:	egg breaking facilities, bakeries, confectioneries, pasta making companies
Capacity:	max 6500 eggs/hour
Power supply:	14kW 400V 3/N/PE 50/60 Hz 18kW 230V 3/N/PE 50/60 Hz
Water connection:	input 1" input 2"
Compressed air connection:	
Minimal workspace:	3200x 2500 mm
Dimensions:	1950x 1163x 1315
Operated by:	1-3 person
Minimal wall clearance:	the rear side - 600 mm
Additional information:	N/A
A	control panel
B1/B2	connections electrical/water
C	eggs input
D	eggs/peels outlet
E	egg tracks outlet
F	egg tracks outlet
G	egg white outlet