

MX-1 tunnel egg washer

Description

 **Capacity:** 3000 - 6500 eggs/hour

 **Replaces:** 17 people

Power supply: 14 kW 400 V 3/N/PE 50/60 Hz,
14 kW 230 V 3/N/PE 50/60 Hz



 **Dimensions:** 1883x878x1592 mm

 **Minimal workspace:** 2880x1880 mm

 **Compressed air:** n/a

 **Weight:** 270 kg

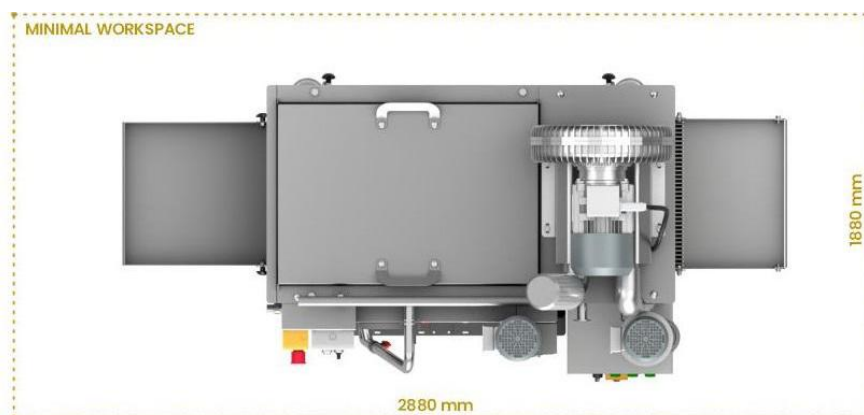
 **Water:** water from client's installation

 **Operated by:** 1 person

 **Drain:** required

 **Compatibility:** VEL-30, RXmini, UX-1,
RX-nano, UDTJ-150

The MX-1 washes the eggs in a 3D fashion thanks to the use of specially designed rotating brushes which clean all of the eggs surface. This allows for an exceptional level of cleanliness. First, the eggs are fed into the machine with the use of an integrated gravity feeder tray. There, thanks to the use of specially profiled rollers, the eggs are rotated along their axis, while specially designed brushes wash the eggs at every angle, which results in a 3D washing effect. After washing, the eggs are transported into a drying section, where they are dried by a stream of warm air. The washer operates in a closed water circuit, which allows for its optimal use and reduces costs. The machine is made out of stainless steel EN 1.4301 (AISI 304).



OVO-TECH HQ

Boczna 43
27-200 Starachowice
Poland, European Union

OVO-TECH USA

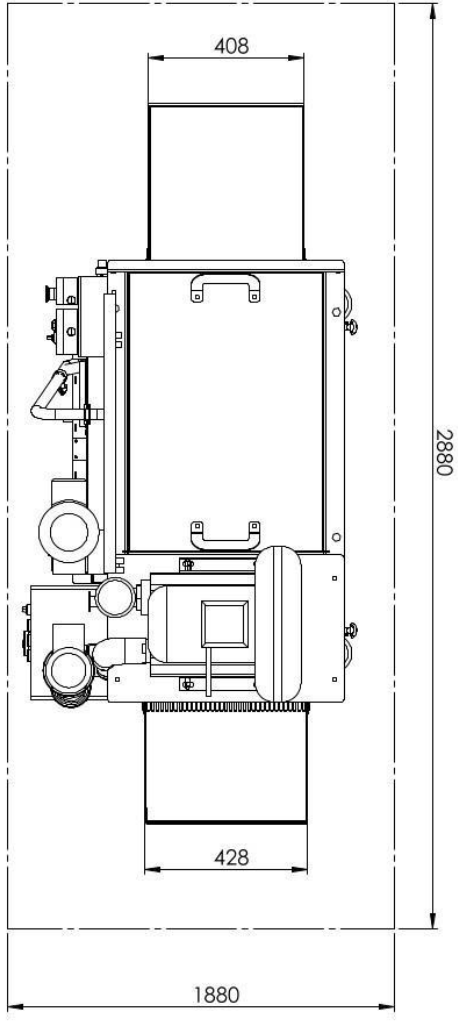
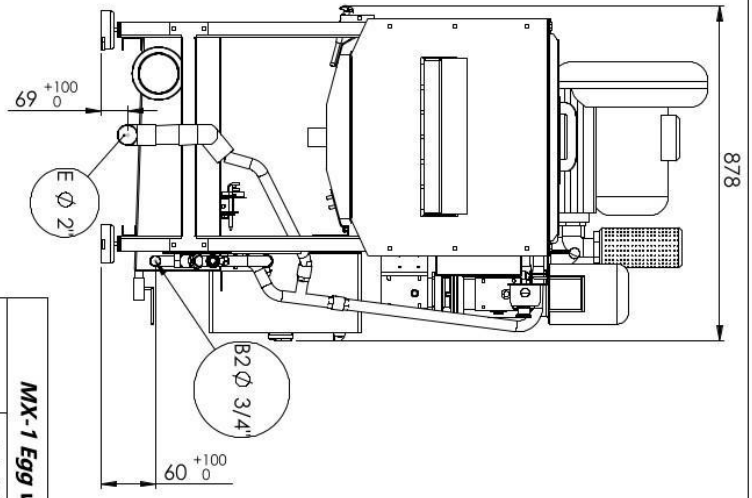
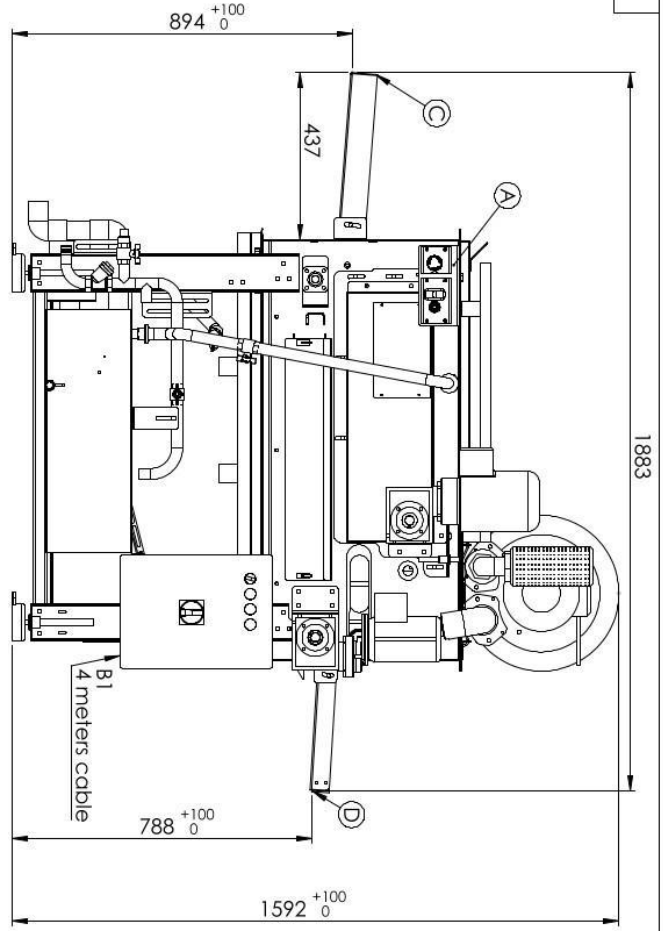
1680 Michigan Avenue, Suite 700
Miami Beach, FL 33139
United States

Sales

Email: sales@egg-breakers.com
Tel (Int'l): +48 792 333 900
Tel (US): +1 310 432 3579

Social media





MX-1 Egg washer

Typical workplaces:	egg breaking facilities, bakeries, confectioneries, pasta making companies
Capacity:	to 6500 eggs/hour
Power supply:	14 kW 230 V 3.N/PE 50/60 Hz 14 kW 400 V 3.N/PE 50/60 Hz
Water connection:	Water from Client's installation
Compressed air connection:	
Minimal workspace:	2880 x 1880
Dimensions:	1883 x 878 x 1582 mm
Operated by:	1-2 person
Minimal wall clearance:	the rear side - 600 mm
Additional information	N/A
A	control panel
B1/B2	connection electrical/water
C	eggs input
D	eggs output
E	drainage connection

OVO TECH

EGG PROCESSING MACHINES

All rights reserved. No part of this document may be reproduced, stored in a retrieval system, or transmitted, in any form or by any means, without the prior written permission of OVO TECH. Any use of the products, including the reproduction of the drawings, is prohibited.