



MX-6 tunnel egg washer

Description

Capacity: 39 000 eggs/hour

Replaces: 85 people

Power supply: 40-50 kW 400 V 3/N/PE 50/60 Hz
40-50 kW 230 V 3/N/PE 50/60 Hz



Dimensions: 5396x1758x1654 mm

Minimal workspace: 8000x3600 mm

Compressed air: n/a

Weight: 1300 kg

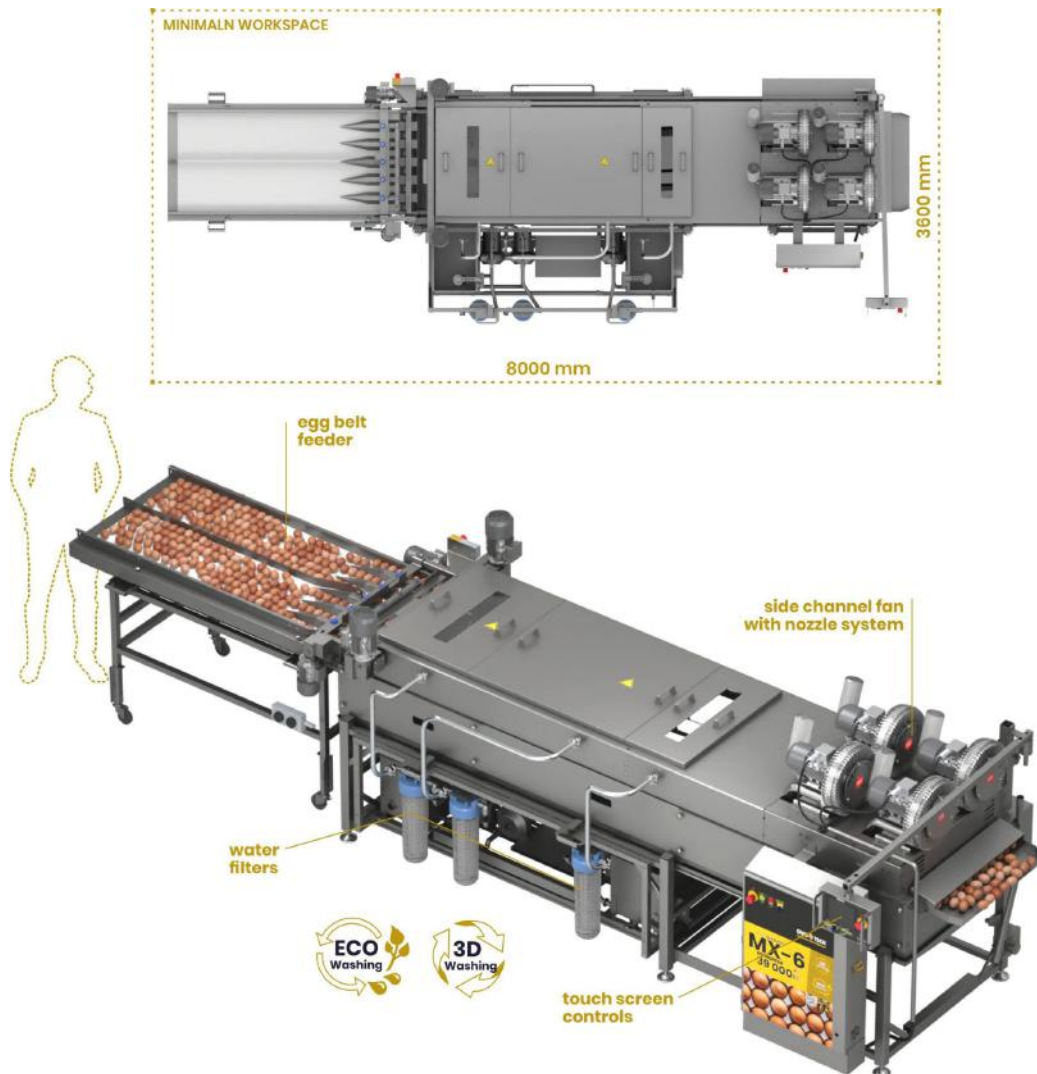
Water: water from client's installation

Operated by: 6 persons

Drain: required

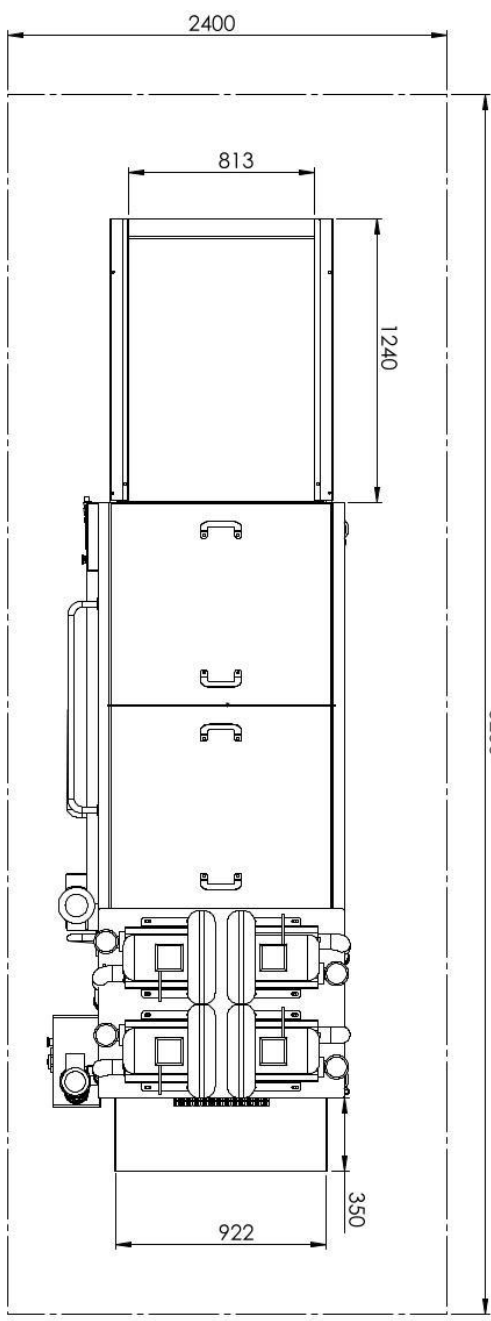
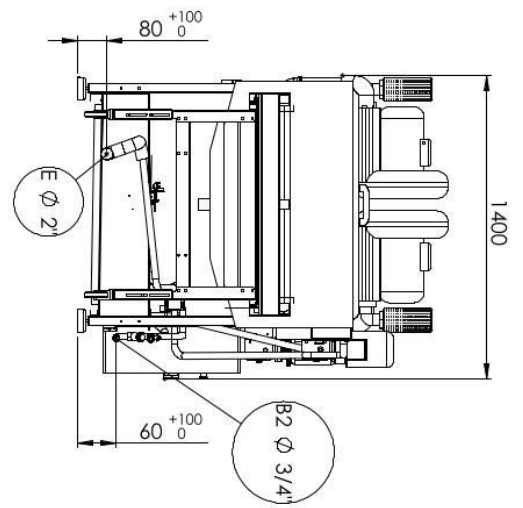
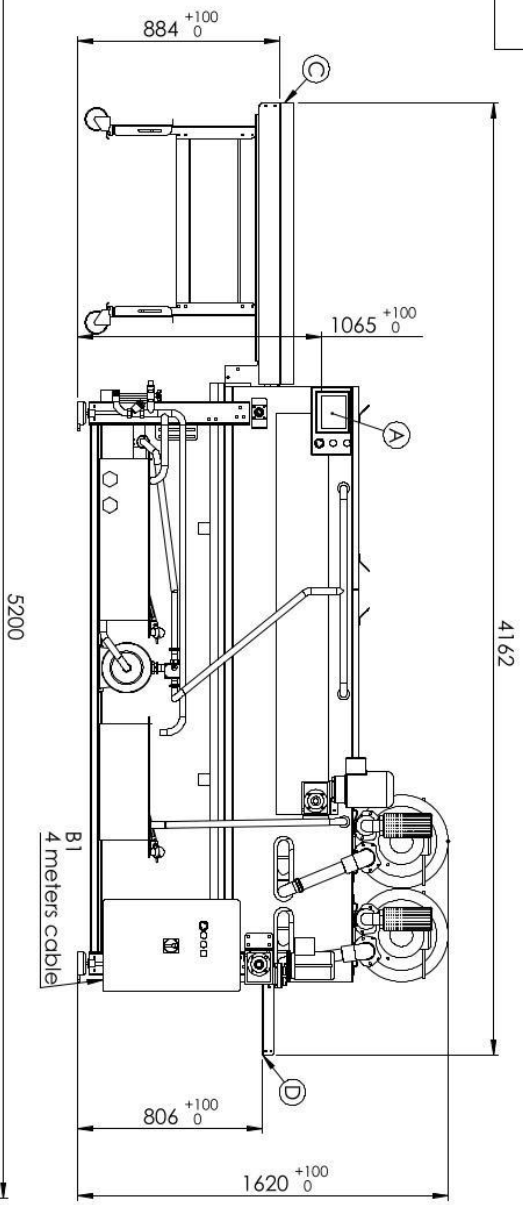
Compatibility: 3xVEL-30, RX-6, UX-6
UDTJ-500

The MX-6 washes the eggs in a 3D fashion thanks to the use of specially designed rotating brushes which clean all of the eggs' surfaces. This allows for an exceptional level of cleanliness. First, the eggs are fed into the machine with the use of an integrated gravity feeder tray. There, thanks to the use of specially profiled rollers, the eggs are rotated along their axis, while specially designed brushes wash the eggs at every angle, which results in a 3D washing effect. After washing, the eggs are transported into a drying section, where they are dried by a stream of warm air. The washer operates in a closed water circuit, which allows for its optimal use and reduces costs. The machine is made out of stainless steel EN 1.4301 (AISI 304).



DATE
22.03.2023
 PROJECT
 DOK-LAVEN281.1

AUTHOR
 PG



OVO TECH
 EGG PROCESSING MACHINES

All rights reserved
 Any use of the product, including
 reproduction, is the sole property of OVO TECH
 without a written permission is strictly
 prohibited.

MX-4 Egg washer

| | |
|-----------------------------------|--|
| Typical workplaces: | egg breaking facilities, bakeries, confectioneries, pasta making companies |
| Capacity: | to 26 000 eggs/hour |
| Power supply: | 42 kW 230 V 3.N/PE 50/60 Hz 42 kW 400 V 3.N/PE 50/60 Hz |
| Water connection: | Water from Client's installation |
| Compressed air connection: | |
| Minimal workspace: | 5200x3400 |
| Dimensions: | 4162 x 1400 x 1620 mm |
| Operated by: | 4 person |
| Minimal wall clearance: | the rear side - 600 mm |
| Additional information | N/A |
| A | control panel |
| B1/B2 | connection electrical/water |
| C | eggs input |
| D | eggs output |
| E | drainage connection |