



## RZ-0 egg breaker

## Description

**Capacity:** 2300 eggs/hour

**Replaces:** 5 people

**Power supply:** 0.2 kW 230 V 1/N/PE 50/60 Hz  
0.2 kW 110 V 1/N/PE 50/60 Hz

**Dimensions:** 1599x730x1200 mm

**Minimal workspace:** 2500x1750 mm

**Compressed air:** 6-8 bar minimal flow 260 l/min.

**Weight:** 82 kg

**Water:** n/a

**Operated by:** 1 person

**Drain:** n/a

**Compatibility:** ESS, PS-1 Mix only

The egg breaker imitates the work of human hands with the use of special pneumatic suction cups. The cups grab the eggs whose shells are then cracked by a specially designed knife. Next, the machine's arms pull the eggshells apart and the cracked eggs slide onto a separator, where yolks are separated from egg whites. This most hygienic egg breaking method is an innovation by OVO-TECH. Due to its compact size and cracking hygiene, the RZ-0 finds its applications in both, food and pharmaceutical industries. The machine is made out of stainless steel EN 1.4301 (AISI 304).



### OVO-TECH HQ

Boczna 43  
27-200 Starachowice  
Poland, European Union

### OVO-TECH USA

1680 Michigan Avenue, Suite 700  
Miami Beach, FL 33139  
United States

### Sales

Email: [sales@egg-breakers.com](mailto:sales@egg-breakers.com)  
Tel (Int'l): +48 792 333 900  
Tel (US): +1 310 432 3579

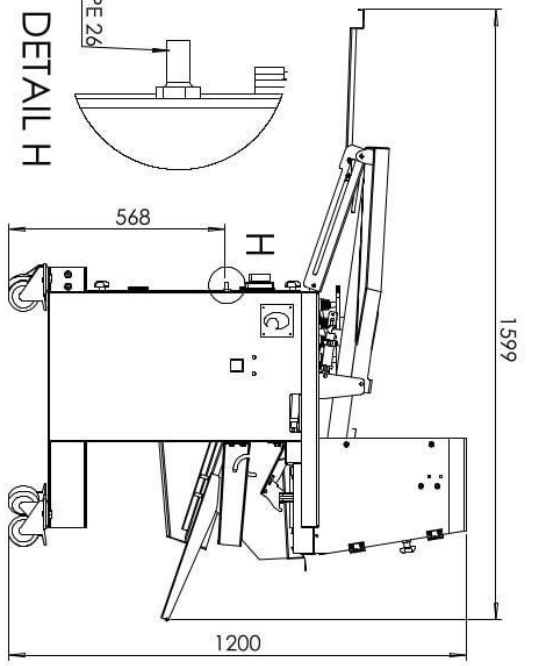
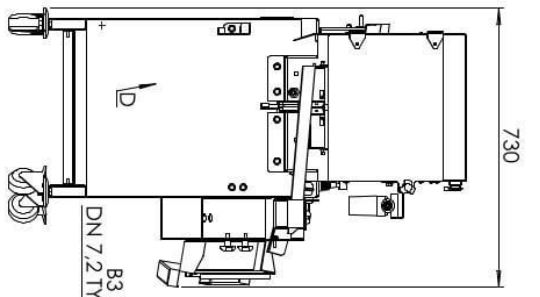
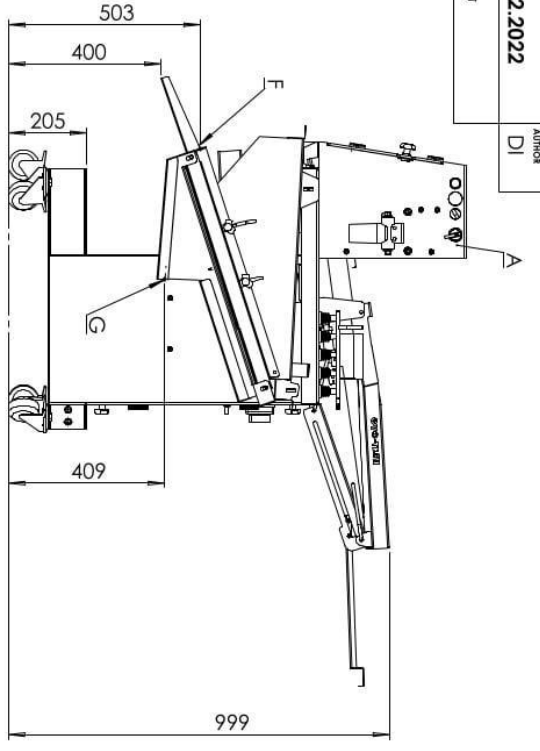
### Social media



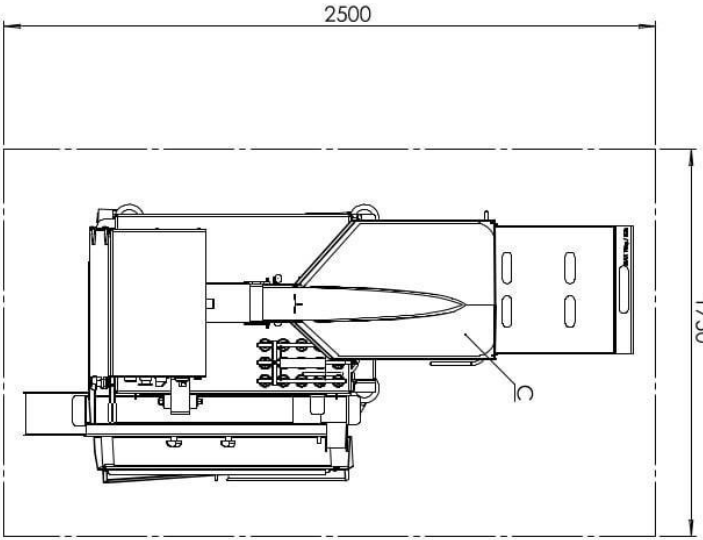
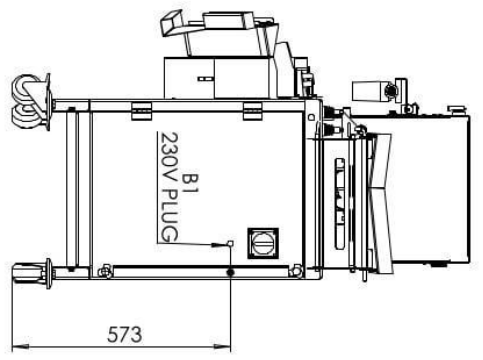
DATE  
15.02.2022

AUTHOR  
DI

PROJECT  
R20-DM1



DETAIL H



|                                |   |
|--------------------------------|---|
| <b>RZ-0 egg breaker</b>        |   |
| Typical workpiece:             | egg breaking facilities, bakeries, confectioneries, pasta making companies                                    |
| Capacity:                      | 2300 eggs/hour  |
| Power supply:                  | 0.5 kW 230 V 1/N/PE 50/60 Hz<br>0.5 kW 110 V 1/N/PE 50/60 Hz  |
| Water connection:              | N/A   |
| Compressed air connection:     | 6-8 bar, minimal flow 250 liter/hour  |
| Minimal workspace:             | 1750 x 2500   |
| Dimensions:                    | 710 x 1599 x 1200 mm  |
| Operated by:                   | 1 person  |
| Minimal wall clearance:        | the rear side - 600 mm  |
| Additional information:        | N/A   |
| A<br>B1/B3<br>C<br>D<br>E<br>F | control panel<br>electrical panel<br>eggs inlet<br>eggs/walks outlet<br>eggs yokes outlet<br>egg white outlet |

**OVO TECH**

EGG PROCESSING MACHINES

All rights reserved. No part of this document may be reproduced, stored in a retrieval system, or transmitted, in any form or by any means, without the prior written permission of OVO TECH.