



UDTJ-150 centrifugal egg cracker

Description

Capacity: 20 000 / max. 30 000 eggs/hour

Replaces: 15-23 people

Power supply: 1.1 kW 400 V 3/N/PE 50/60 Hz
1.1 kW 230 V 3/N/PE 50/60 Hz
1.1 kW 110 V 1/N/PE 50/60 Hz

Dimensions: 604x684x910 mm
[24x27x36 in.]

Minimal workspace: 1500x1500 mm
[59x59 in.]

Weight: 80 kg [176 lbs]

Operated by: 1 person

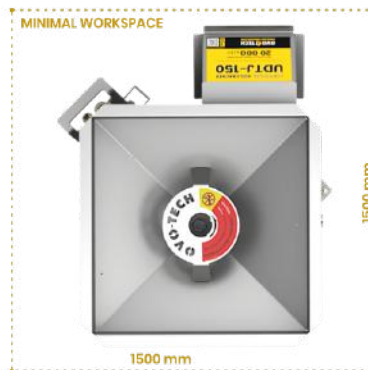
Compatibility: MX-2/4, UX-2/4, PS-1

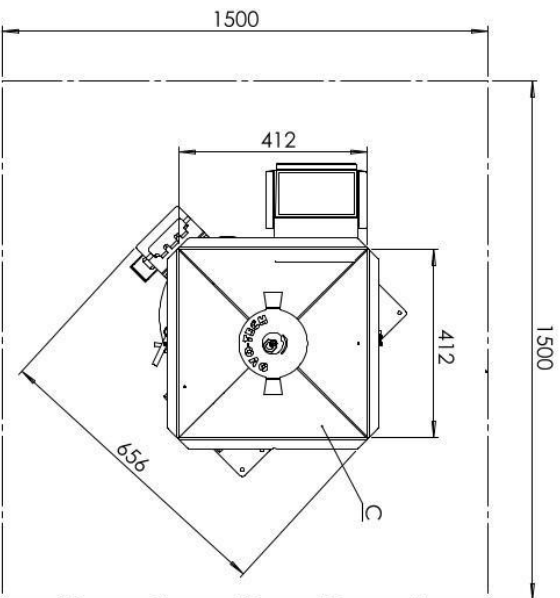
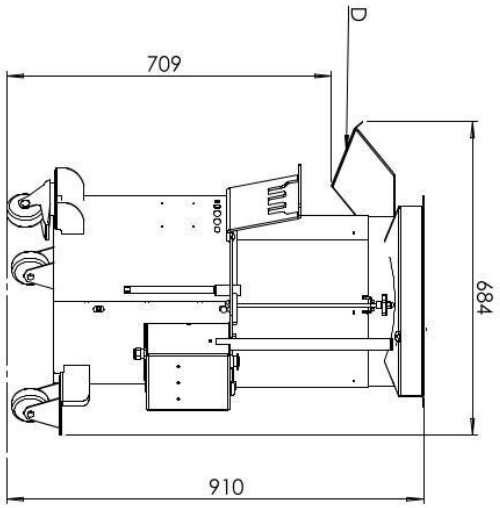
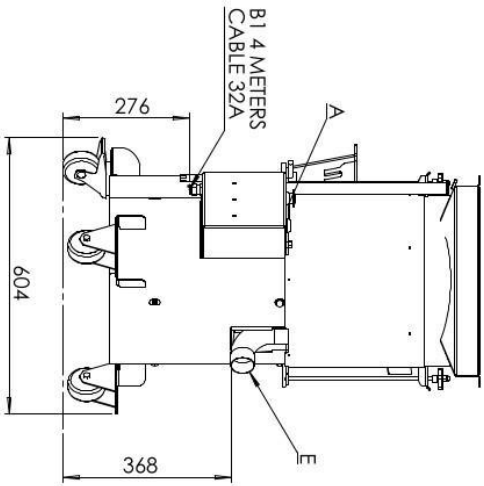
The UDTJ-150 is an automatic centrifugal egg cracker which produces fresh liquid egg. After filling the hopper with eggs, the eggs are cracked and the eggshells are filtered out with the use of a special rotating filter with a mesh size of 0.8 mm. Clean egg liquid is then transported to a placed container, and eggshells are automatically removed from the machine. The machine is made out of stainless steel EN 1.4301 (AISI 304).

Compressed air: n/a

Water: n/a

Drain: n/a





UDTJ-150 centrifugal egg cracker

Typical workloads:	egg breaking facilities, bakeries, confectioneries, pasta making companies
Capacity:	20000 eggs/hour
Power supply:	1.1 kW 400 V 3 N/PE 50/60 Hz 1.1 kW 230 V 3 N/PE 50/60 Hz 1.1 kW 110 V 1 N/PE 50/60 Hz
Water connection:	N/A
Compressed air connection:	N/A
Minimal workspace:	1500 x 1500 mm
Dimensions:	604 x 684 x 910 mm
Operated by:	1 person
Minimal wall clearance:	the rear side - 600 mm
Additional information	N/A
A	control panel
B1	connection electrical/water/air
C	eggs input outlet
D	liquid eggs outlet
E	liquid eggs outlet

OVO TECH

EGG PROCESSING MACHINES

All rights reserved. No part of this document may be reproduced, stored in a retrieval system, or transmitted, in any form or by any means, without the prior written permission of OVO TECH. Any use of this document, including translation, reproduction, or distribution, without the prior written permission is strictly prohibited.