



## UX-6 flood lamp

## Description

**Capacity:** 39 000 eggs/hour

**Replaces:** n/a

**Power supply:** 5 kW 400 V 3/N/PE 50/60 Hz  
5 kW 230 V 3/N/PE 50/60 Hz

**Dimensions:** 126x59x59 in.

**Minimal workspace:** 197x118 in.

**Compressed air:** n/a

**Weight:** 992 lbs

**Water:** n/a

**Operated by:** 6 persons

**Drain:** n/a

**Compatibility:** 3xVEL-30, RX-6, MX-6, UDTJ-500

The disinfecter emits UV-C light with the cumulative power of 1900 Watts, which acts on the eggshells and disinfects them by killing 100% of bacteria, including Salmonella. The machine is made out of stainless steel EN 1.4301 (AISI 304).



### OVO-TECH HQ

Boczna 43  
27-200 Starachowice  
Poland, European Union

### OVO-TECH USA

1680 Michigan Avenue, Suite 700  
Miami Beach, FL 33139  
United States

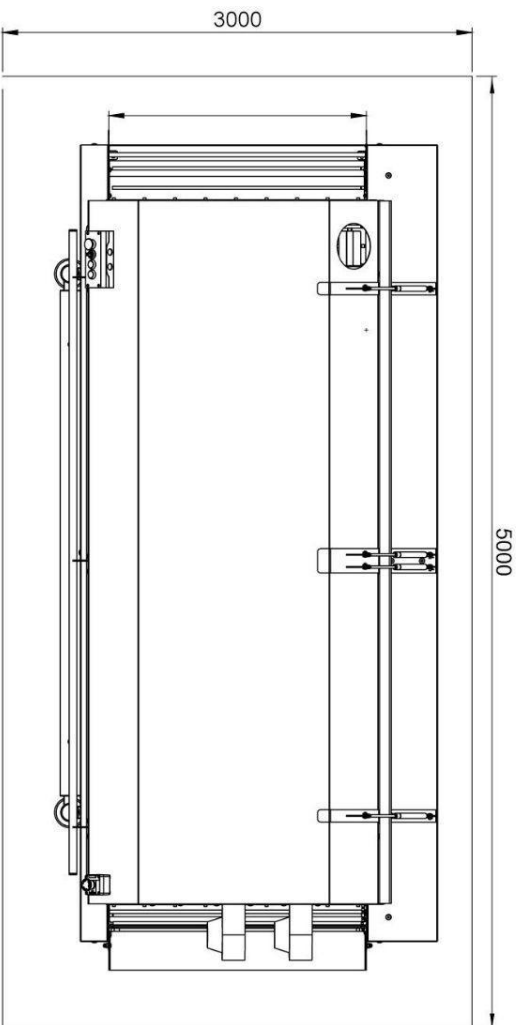
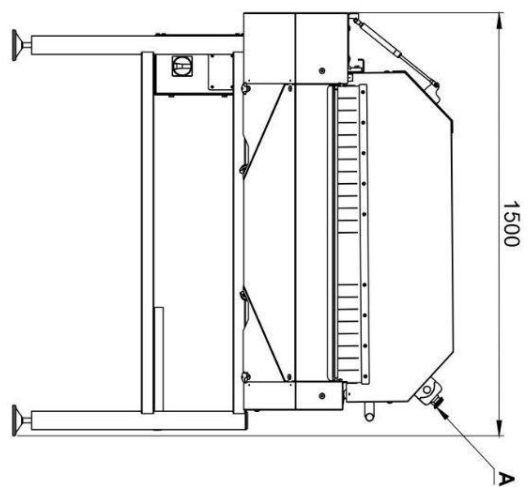
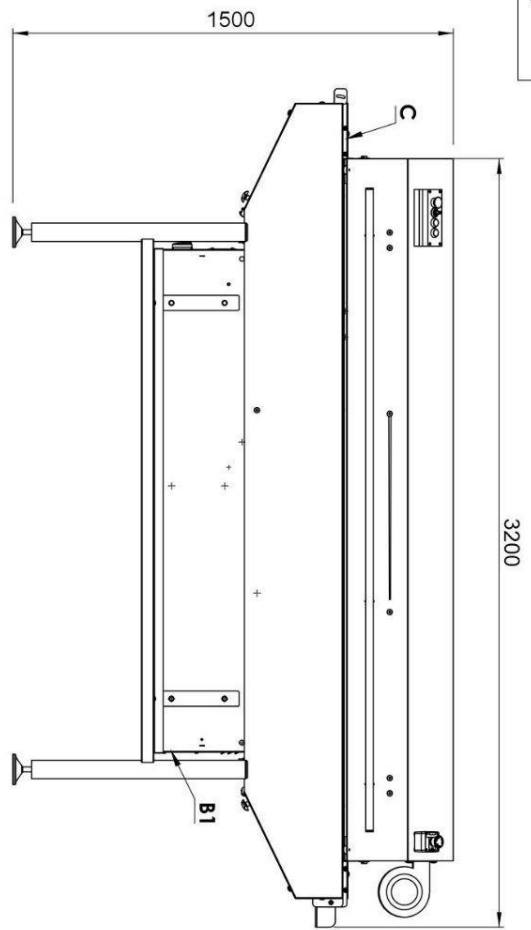
### Sales

Email: [sales@egg-breakers.com](mailto:sales@egg-breakers.com)  
Tel (Int'l): +48 792 333 900  
Tel (US): +1 310 432 3579

### Social media



DATE	11.07.2022	AUTHOR	P.G.
PROJECT	UX-6		



UX-6 flood lamp	
Typical workplaces:	egg breaking facilities, bakeries, confectioneries, pasta making companies
Capacity:	30 000 eggs/hour
Power supply:	5 kW 400 V, 3WPE 50/60 Hz 5 kW 230 V, 3WPE 50/60 Hz
Water connection:	N/A
Compressed air connection:	N/A
Minimal workspace:	5000 x 3000 mm
Dimensions:	3200 x 1500 x 1500 mm
Opened by:	6 persons
Minimal wall clearance:	the rear side - 600 mm
Additional information	N/A
A	control panel
B1/B2/B3	connection electrical/water/air
C	eggs input
D	eggs/eggs outlet
E	rigid egg outlet
F	flexible egg outlet
G	egg white outlet

**OVO TECH**

EGG PROCESSING MACHINES

All rights reserved  
Information provided is for informational purposes only. Any use of this material, including reproduction, without our written permission is strictly prohibited.