


## RX-0 egg breaker

## Description


 **Capacity:** 2500 eggs/hour

 **Replaces:** 5 people

The RX-0 egg breaker uses a gravitational, self-pacing feeder with a system of specially designed rollers to transport the eggs into its breaking section. The machine's high performance is achieved thanks to the use of the best-in-class, innovative breaking mechanisms. The machine breaks the eggshells with the use of specially designed knives, which imitate the work of human hands. This most hygienic egg breaking method is an innovation by OVO-TECH. Next, the eggs go through a quality control tray. Afterwards, they slide down a separator ramp where yolks are separated from whites. After work completion, the machine can be cleaned with a built-in CIP system. The machine is made out of stainless steel EN 1.4301 (AISI 304).

 **Power supply:** 0,4 kW 230 V 1/N/PE 50/60 Hz  
0,75 kW 110 V 1/N/PE 50/60 Hz

 **Dimensions:** 1400x668x1210 mm

 **Minimal workspace:** 2400x1670 mm

 **Compressed air:** n/a

 **Weight:** 85 kg

 **Water:** water from client's installation

 **Operated by:** 1 persons

 **Drain:** n/a

 **Compatibility:** VEL-30



### OVO-TECH HQ

Boczna 43  
27-200 Starachowice  
Poland, European Union

### OVO-TECH USA

1680 Michigan Avenue, Suite 700  
Miami Beach, FL 33139  
United States

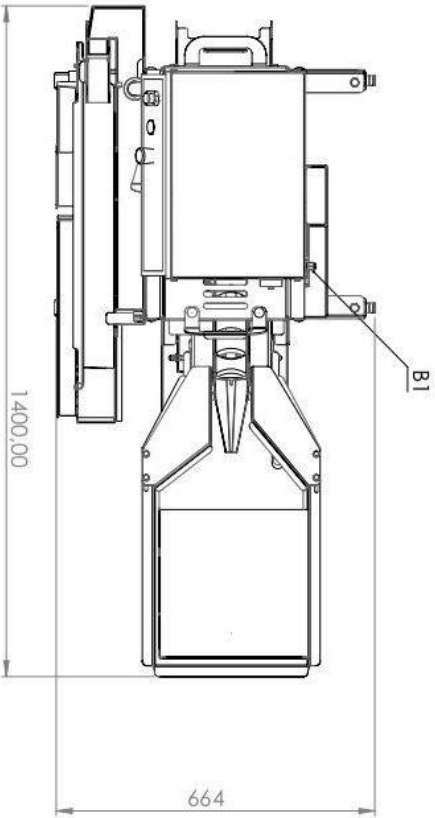
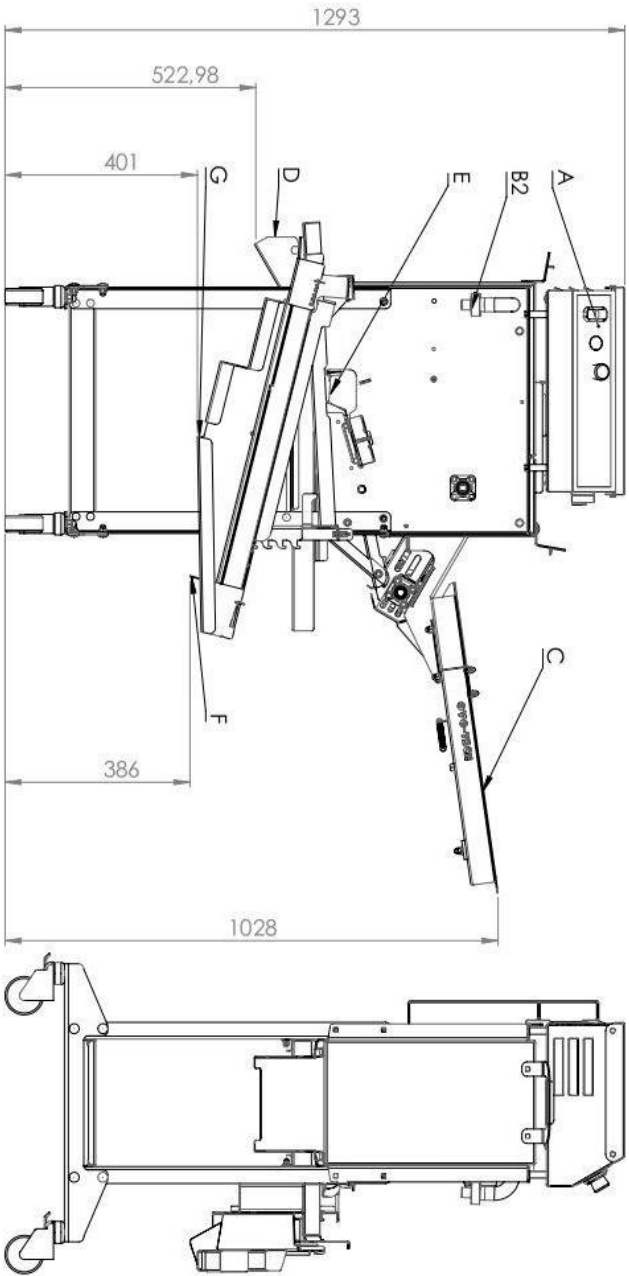
### Sales

Email: [sales@egg-breakers.com](mailto:sales@egg-breakers.com)  
Tel (Int'l): +48 792 333 900  
Tel (US): +1 310 432 3579

### Social media



DATE	12.06.2023	VERSION	SE
PROJECT	RX-0		



**OVO TECH**

EGG PROCESSING MACHINES

All rights reserved.  
Information presented on this drawing is for informational purposes only. Any use of this material, including reproduction of parts or drawings, without the express written permission is strictly prohibited.

RX - 0	
Typical workplaces:	egg breaking facilities, bakeries, confectioneries, pasta making companies
Capacity:	max. 2500 eggs/hour
Power supply:	0.4kW/ 230V/ 1N/PE 50/60 Hz 0.25W/ 110V/ 1N/PE 50/60 Hz
Water connection:	input 1 - output 2 -
Compressed air connection:	-
Minimal workspace:	2400x 1670 mm
Dimensions:	1400x 664x 1293
Operated by:	1 person
Minimal wall clearance:	the rear side - 600 mm
Additional information:	N/A
A B1/B2 C D E F G	control panel conduits electrical/water eggs input eggs output eggs/water outlet liquid egg outlet egg waste outlet egg water outlet