



## UDTJ-10 centrifugal egg cracker

## Description

**Capacity:** 10 000 eggs/hour

**Replaces:** 8-16 people

**Power supply:** 1.1 kW 230 V 1/N/PE 50/60 Hz  
1.1 kW 110 V 1/N/PE 50/60 Hz



**Dimensions:** 518x700x880 mm  
[20x28x35 in.]

**Minimal workspace:** 1500x1500 mm  
[59x59 in.]

**Compressed air:** n/a

**Weight:** 60 kg [132 lbs]

**Water:** n/a

**Operated by:** 1 person

**Drain:** n/a

**Compatibility:** PS-1

The UDTJ-10 is a semi-automatic centrifugal egg cracker which produces fresh liquid egg. After filling the hopper with eggs, the machine cracks the eggs and separates the liquid egg from the eggshells using an internal filter. Shells should be removed from the filter after every 210 eggs, after which breaking can be continued. The machine is made out of stainless steel EN 1.4301 (AISI 304).

**The machine is certified for compliance with the NSF/ANSI 8 - Commercial Powered Food Preparation Equipment standard.**



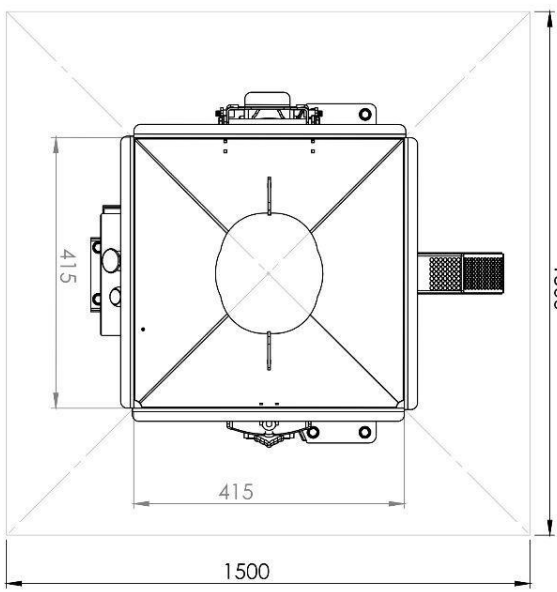
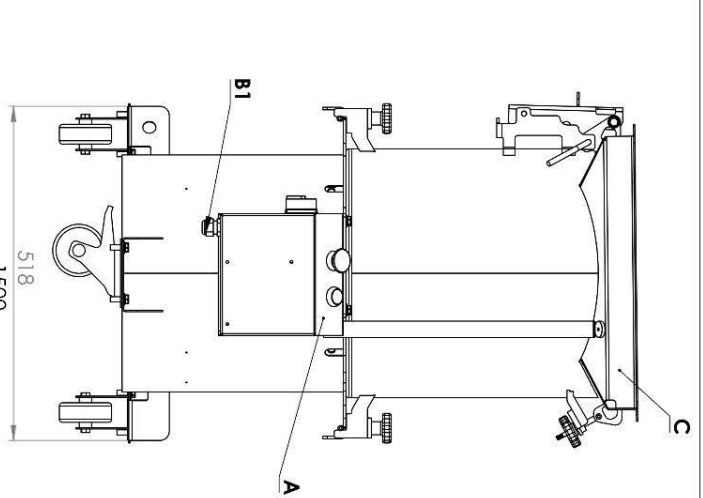
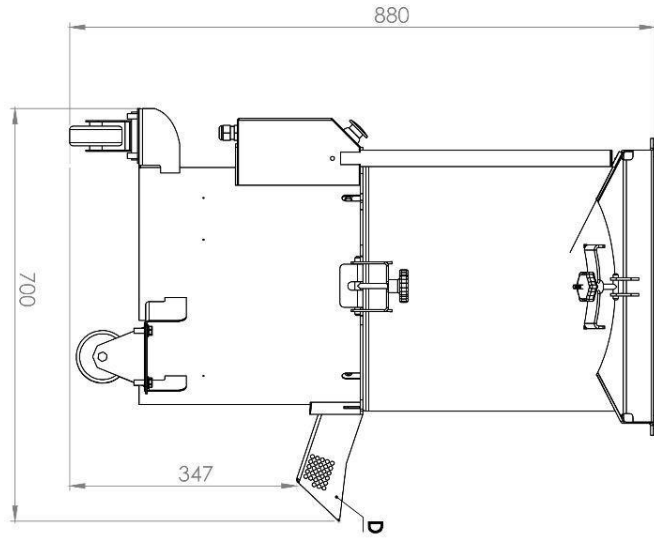
eggshell filter should be emptied every 210 eggs



DATE  
**10.05.2022**

PROJECT  
DOKLAVEN A.1

AUTHOR  
PG



<b>UDT1-10 NSF centrifugal egg cracker</b>	
Typical workplaces	egg breaking facilities, bakeries, confectioneries, pasta making companies
Capacity:	4000 eggs/hour
Power supply:	1.1 kW 110V 1/2N/PE 50/60 Hz 1.1 kW 230 V 1/2N/PE 50/60 Hz 1.1 kW 230 V 3/2N/PE 50/60 Hz 1.1 kW 400 V 3/2N/PE 50/60 Hz
Water connection:	N/A
Compressed air connection:	N/A
Minimal workplace:	1500x1500
Dimensions:	518 x 700 x 880 mm
Opened by:	1 person
Minimal wall clearance:	the rear side - 600 mm
Additional information	N/A
A	control panel
B1	electrical eggs input
C	liquid egg outlet
D	

**OVO TECH**

EGG PROCESSING MACHINES

All rights reserved

Information presented in this document is confidential and intended for the sole use of the recipient. Any use of this material, including reproduction, without our written permission is strictly prohibited.