

## UX-1 flood lamp

## Description

 **Capacity:** 6500 eggs/hour


 **Replaces:** n/a

**Power supply:** 3 kW 400 V 3/N/PE 50/60 Hz  
3 kW 230 V 3/N/PE 50/60 Hz

 **Dimensions:** 3200x1300x1500 mm

 **Minimal workspace:** 5000x2500 mm

 **Compressed air:** n/a

 **Weight:** 360 kg

 **Water:** n/a

 **Operated by:** 1-2 persons

 **Drain:** n/a

 **Compatibility:** VEL-30, MX-2, UDTJ-150/500, RX-1/2

The disinfecter emits UV-C light with the cumulative power of 950 Watts, which acts on the eggshells and disinfects them by killing 100% of bacteria, including Salmonella. The machine is made out of stainless steel EN 1.4301 (AISI 304).



### OVO-TECH HQ

Boczna 43  
27-200 Starachowice  
Poland, European Union

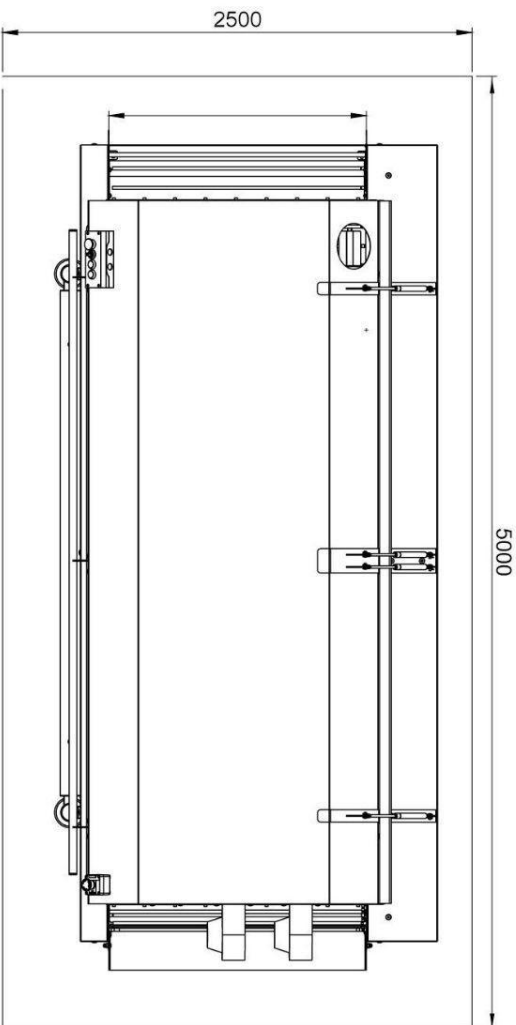
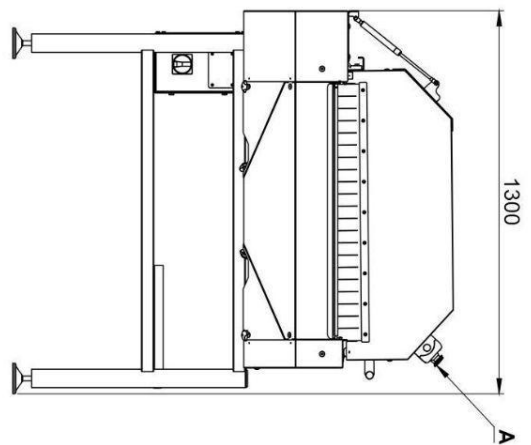
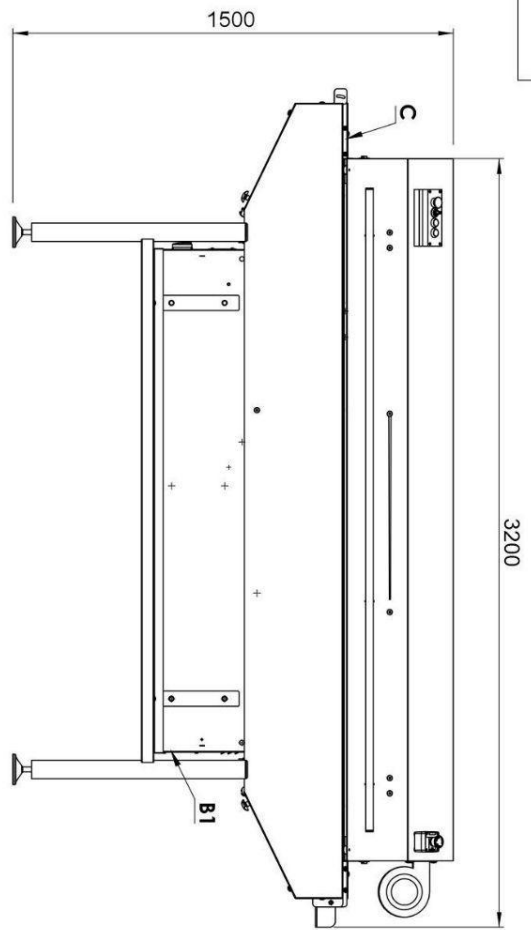
### Sales

Email: [sales@egg-breakers.com](mailto:sales@egg-breakers.com)  
Tel (Int'l): +48 792 333 900

### Social media



DATE: 11.07.2022  
 PROJECT: P.G.  
 AUTHOR: P.G.



<b>UX-1 flood lamp</b>	
<b>Typical workplaces:</b>	egg breaking facilities, bakeries, confectioneries, pasta making companies
<b>Capacity:</b>	6500 eggs/hour
<b>Power supply:</b>	3 kW 400 V, 3WPE 50/60 Hz 3 kW 230 V, 3WPE 50/60 Hz
<b>Water connection:</b>	N/A
<b>Compressed air connection:</b>	N/A
<b>Minimal workspace:</b>	5000 x 2500 mm
<b>Dimensions:</b>	3200 x 1300 x 1500 mm
<b>Opened by:</b>	3 persons
<b>Minimal wall clearance:</b>	the rear side - 600 mm
<b>Additional information</b>	N/A
<b>A</b>	control panel
<b>B1/B2/B3</b>	connection electrical/water/air
<b>C</b>	eggs input
<b>D</b>	eggs/eggs outlet
<b>E</b>	air and egg outlet
<b>F</b>	air outlet
<b>G</b>	egg white outlet

**OVO TECH**

EGG PROCESSING MACHINES

All rights reserved  
 Information provided in this document  
 is for informational purposes only.  
 Any use of this material, including  
 reproduction, distribution, or  
 translation, without our written permission is strictly  
 prohibited.